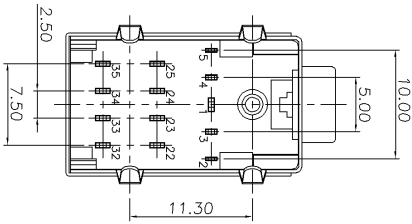
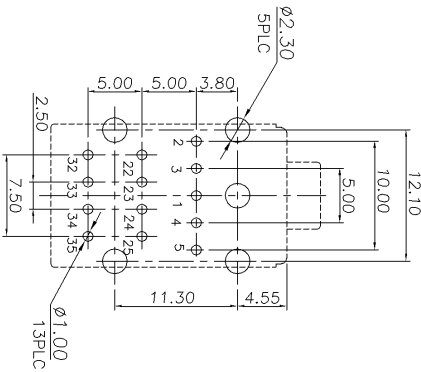


RECOMMENDED PLUG DRAWING
SCALE: 2:1



RECOMMENDED PCB LAYOUT
(TOLERANCE: ±0.05mm)



- NOTES:
- MATERIAL:
 - HOUSING COVER & SPACER: THERMOPLASTIC, UL94V-0; COLOR: BLACK.
 - JACK BARREL: THERMOPLASTIC, UL94V-0; COLOR: SEE TABLE
 - T5 SPRING: PHOSPHOR BRONZE.
 - SHELL: BRASS.
 - GROUND: BRASS.
 - TERMINAL: BRASS.
 - SPRING RING: PHOSPHOR BRONZE
 - FINISH:
 - T2: GOLD FLASH ON CONTACT AREA.
 - T1: 150μ" BRIGHT TIN PLATED ON SOLDER TAIL AREA.
 - T2: 50μ" MIN. NICKEL UNDERPLATED OVERALL.
 - T3: 50μ" MIN. GOLD ON CONTACT AREA.
 - T4: 50μ" MIN. NICKEL UNDERPLATED OVERALL.
 - T5: 30μ~80μ" BRIGHT TIN PLATING.
 - T6: 30~80μ" NICKEL UNDER PLATING OVERALL.
 - T7: 100μ" MIN. BRIGHT TIN PLATING.
 - T8: 30~80μ" NICKEL UNDER PLATING OVERALL.
 - T9: 30~80μ" BRIGHT TIN PLATED ALL OVER.
 - T10: 80μ" NICKEL UNDER PLATING OVERALL.
 - T11: RECOMMENDED PCB THICKNESS: 1.60mm
 - T12: WAVE SOLDER CAPABLE TO 265°C
 - T13: PER TYCO SPEC. 109-202, CONDITION B.

TOLERANCES UNLESS OTHERWISE SPECIFIED:

0 PLG	± 0.3
1 PLG	± 0.2
2 PLG	± 0.2
3 PLG	± 0.2
ANGLES	± 3°

DWN	S. HOU
CHK	W. J. KE
APVD	W. J. KE
PRODUCT SPEC	20-APR-2006
QUALIFICATION TEST REPORT	501-57409
WEIGHT	19 GRAM

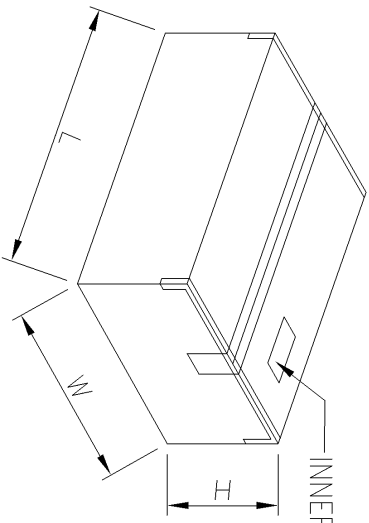
JACK BARREL COLOR	GRAY	BLACK	ORANGE	1775824-2
	423C	426C	157C	
	PINK	LIME	BLUE	1775824-1
	701C	577C	284C	
	C	B	A	PART NUMBER

LOC	SIZE	DRAWING NO	REV
DW	A3	C-1775824	A
SCALE	--	SHEET	1 OF 2

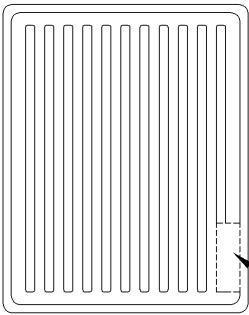
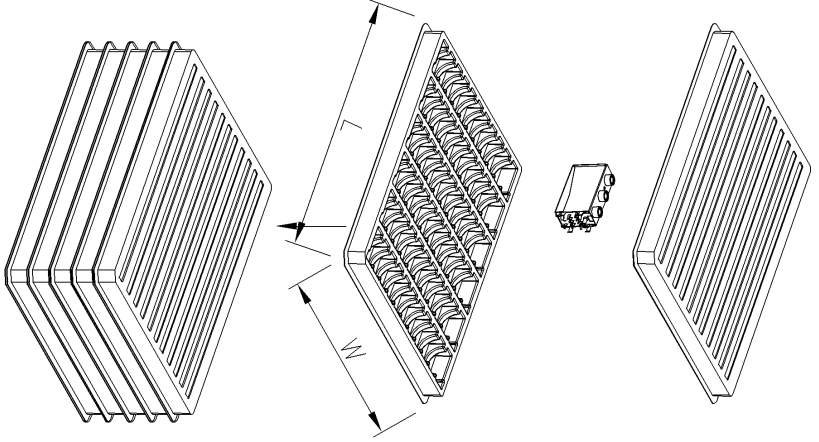
SH	20APR
WK	2006
SH	20DEC
WK	2004
ENR	
DWN	CHK
DATE	
TR	REVISION RECORD
A	REVISED
0	FIRST RELEASED
ENR	
ECR-06-009162	
FZ00-0332-04	

8 7 6 5 4 3 2 1 CUSTOMER DRAWING

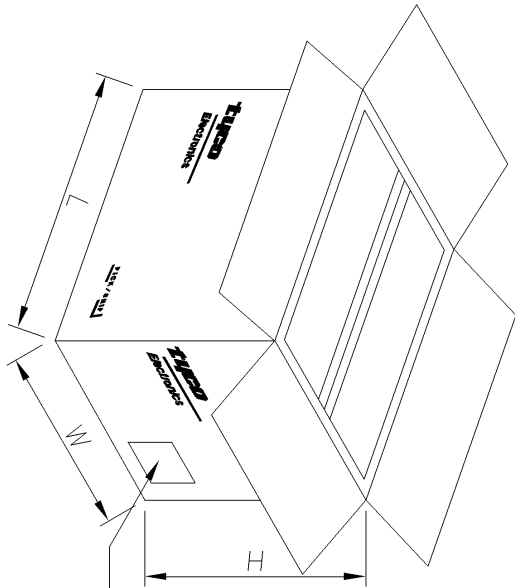
8
7
6
5
4
3
2
1



INNER LABEL



TRAY LAYOUT



CARTON LABEL

TRAY LABEL

- NOTES :
1. MATERIAL :
 - 1.1 TRAY: PS WHITE
 - 1.2 INNER CARTON: CORRUGATED FIBERBOARD
 - 1.3 SHIPPING CARTON: CORRUGATED FIBERBOARD
 2. DIMENSION:
 - 2.1 TRAY: L=345mm, W=280mm, H=26mm
 - 2.2 INNER CARTON: L=350mm, W=285mm, H=155mm
 - 2.3 SHIPPING CARTON: L=365mm, W=300mm, H=335mm
 3. QUANTITY:
 - 3.1 PRIMARY PACKING: 66 PCS/TRAY
 - 3.2 SECONDARY PACKING: 5 TRAYS/INNER CARTON(330PCS)
 - 3.3 SECONDARY PACKING: 2 INNERS/CARTON(660PCS)
 4. WEIGHT:
 - 4.1 NET WEIGHT: 12.5Kg
 - 4.2 GROSS WEIGHT: 14.5Kg

LTR	SEE SHEET 1	ECN	DATE
REVISION RECORD		DWY	CHK

FINISH		SEE NOTE	
TOLERANCES UNLESS OTHERWISE SPECIFIED:			
0 P/C	±	S. HOU	20-APR-2006
1 P/C	±	W. J. KE	20-APR-2006
2 P/C	±	W. J. KE	20-APR-2006
3 P/C	±	W. J. KE	20-APR-2006
ANGLES #	±		
MATERIAL		APVD	
SEE NOTE		W. J. KE	
PRODUCT SPEC		20-APR-2006	
QUALIFICATION TEST REPORT		W. J. KE	
WEIGHT		20-APR-2006	
LOC	SIZE	LOC	SIZE
DW	A3	DW	A3
SCALE		SCALE	
--		--	
SHEET		SHEET	
2 OF 2		2 OF 2	
REV		REV	
A		A	

tyco
Electronics
AUDIO JACK
TRIPLE STACKED
DIP TYPE

TYCO HOLDINGS (BERMUDA)
VII LTD. TAIWAN BRANCH

CUSTOMER DRAWING

A

B

C

D