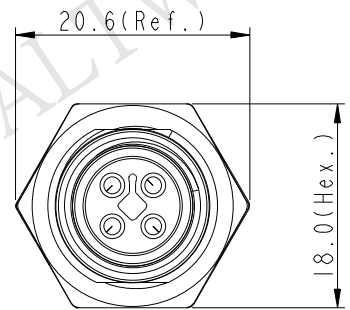
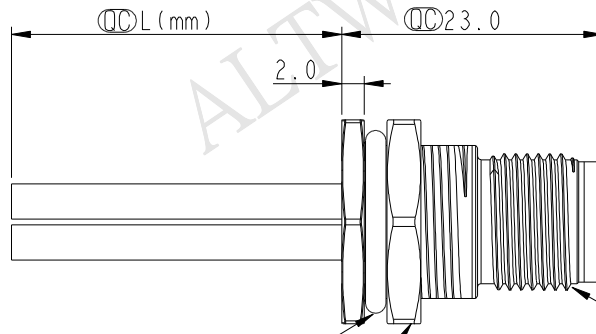
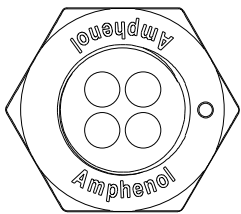


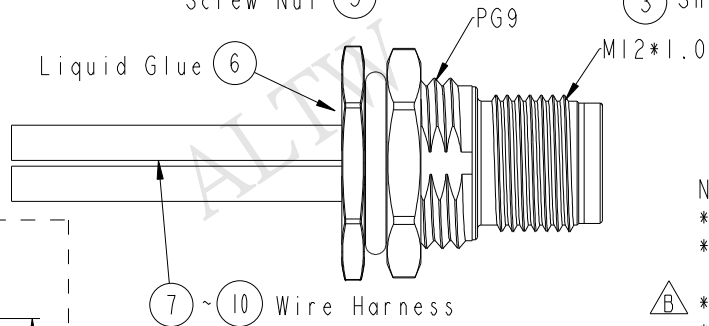
REV.	ECN NO.	DATE	SIGN	DESCRIPTION
A	Initial Release	2015-03-04	Cary	Change Rev. 01 to Rev.A
B	LE317A0018-0019	2017-10-15	Feng_Li	Update The Note

ALTW
CONFIDENTIAL
2017-10-15
R&D DEPT.



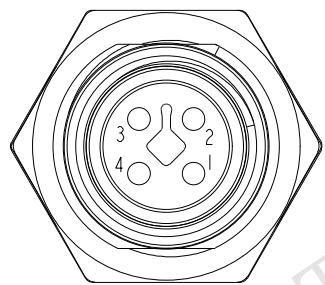
MI2T-04PMMS-SF8BXX

XX: 150~1500mm
 15: 150mm
 30: 300mm
 50: 500mm
 A0: 1000mm
 A5: 1500mm
 Wire Length(L): 150~1500mm

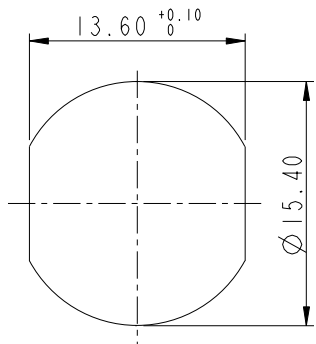


ALTW
DCC. DEPT.
CONFIDENTIAL
2017.10.30
ISSUED

- Note:
- * \varnothing Important Dimension.
 - * Waterproof Rate: IP68.
 - * IP68: 1M Depth Of Water In 24hours.
 - * Housing: Nylon+GF, UL94V-0, Black.
 - * Male Pin: Copper Alloy, Gold Plated.
 - * Shield: Zinc Alloy, Nickel Plated.
 - * Panel Nut: Zinc Alloy, Nickel Plated.
 - * O-Ring: Viton, Black.
 - * Wire Harness: UL1015 16AWG (1.5mm²).
 - * Rated Voltage: 60V DC.
 - * Rated Current at 40°C: 12A
 - * Operation Temperature: -40~85°C.
 - * For Panel Thickness Max 4.5mm.
 - * Nut Torque: 4-6 Kgf.cm (0.4~0.6N.m).
 - * Wire harness Tolerance: 150~300 ±15mm
 301~1000 ±20mm
 Over 1000 ±40mm



Pin Assignment
 Front View



Recommended
 Panel Cut-Out

4	Black	黑
3	Blue	藍
2	White	白
1	Brown	棕
Conn.	Wire Color	Pin Out

UNIT:mm		
TOLERANCE	.X ±0.25	
	.XX ±0.1	
	.XXX ±0.05	
ANGLES	±1°	

TITLE MI2 T-Code 4Pin Male Type			
SCALE 1:1	SIZE A4	SHEET 1 OF 1	
REV. B	WC-REV. A.2	\varnothing : Inspection item	

Amphenol LTW
 安費諾亮泰企業股份有限公司

ITEM NO	DRAWN BY Feng_Li	DATE 2017-10-15
DWG NO MI2T-04PMMS-SF8BXX	CHECKED BY Mafei	DATE 2017-10-15
CUSTOMER ALTW	APPROVED BY Jerry	DATE 2017-10-15

THIS DOCUMENT IS SUBJECT TO CHANGE WITHOUT NOTICE. IT IS CONFIDENTIAL AND A PROPERTY OF Amphenol LTW. DISCLOSURE TO THIRD PARTY HAS TO BE AUTHORIZED BY Amphenol LTW.

F
E
D
C
B
A