

4

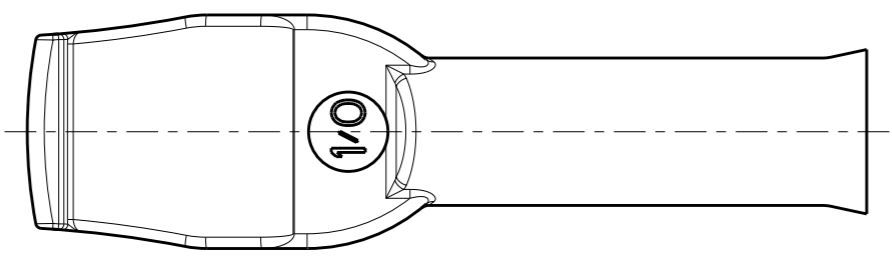
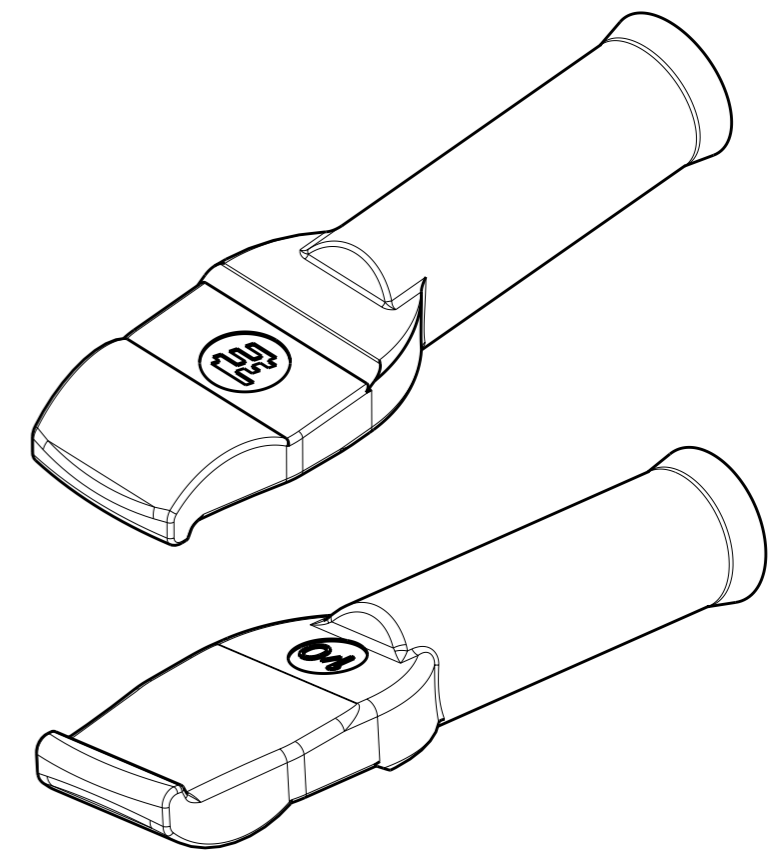
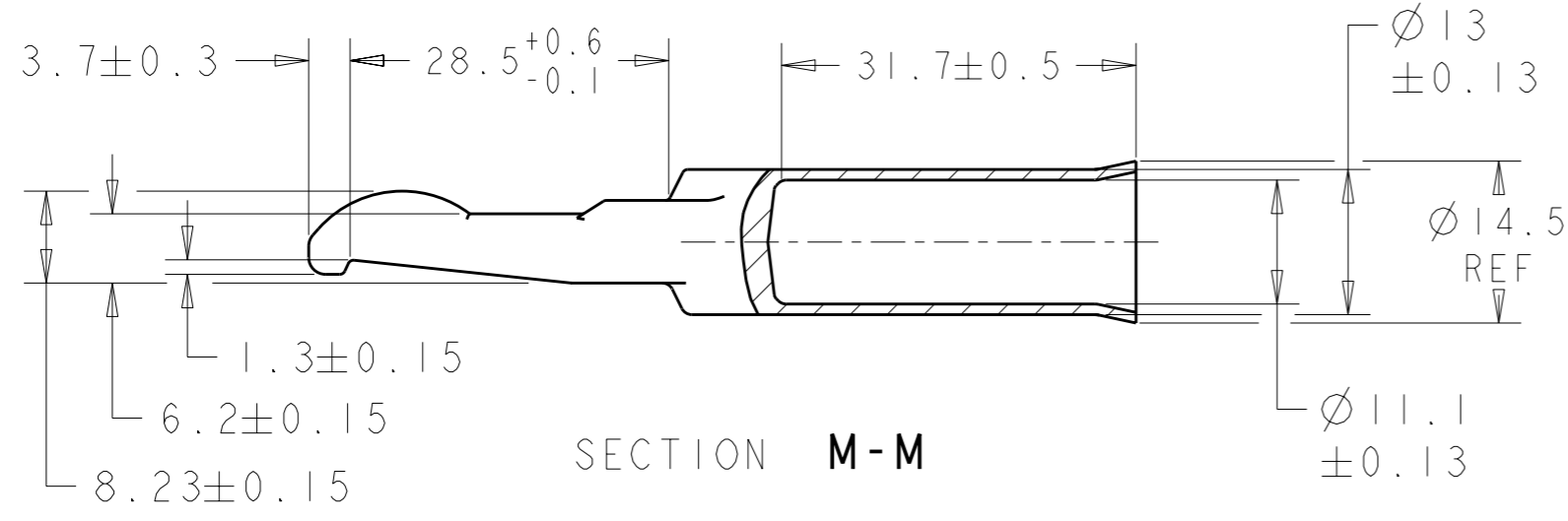
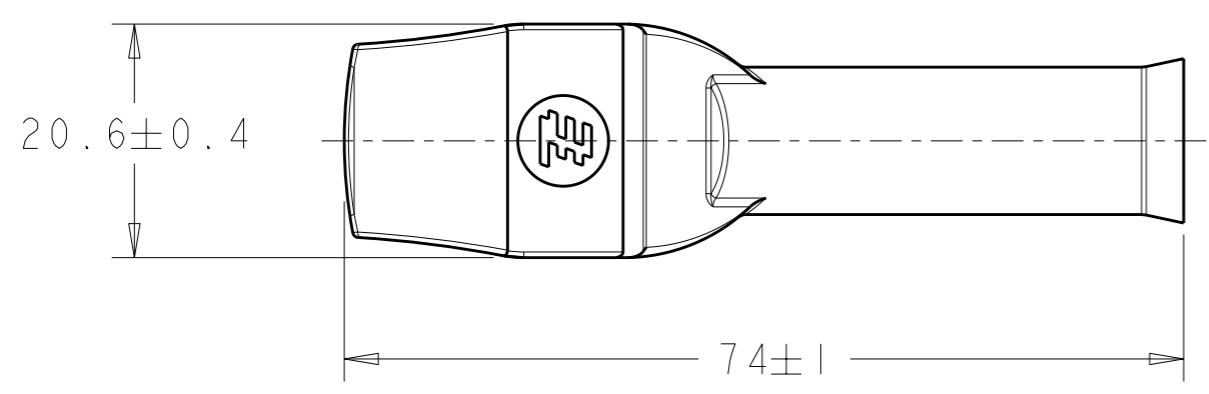
3

2

1

THIS DRAWING IS UNPUBLISHED. RELEASED FOR PUBLICATION 20
 © COPYRIGHT 20 BY TYCO ELECTRONICS CORPORATION. ALL RIGHTS RESERVED.

LOC	DIST	REVISIONS					
		P	LTR	DESCRIPTION	DATE	DWN	APVD
CM	0		B	REV PER ECR 10-006756	01APR10	JR	SM



- 1. MATERIAL: COPPER ALLOY
- 2. FINISH: PLATED SILVER

AS SHOWN	1604055-1
DESCRIPTION	PART NUMBER

METRIC

<small>THIS DRAWING IS A CONTROLLED DOCUMENT FOR TYCO ELECTRONICS CORPORATION IT IS SUBJECT TO CHANGE AND THE CONTROLLING ENGINEERING ORGANIZATION SHOULD BE CONTACTED FOR THE LATEST REVISION.</small>		DWN Brent D. Yohn 09APR2002 CHK W.H. BERNHART 09APR2002 APVD W.H. BERNHART 09APR2002		tyco Electronics Tyco Electronics Harrisburg, PA 17105-3608	
DIMENSIONS: mm 		TOLERANCES UNLESS OTHERWISE SPECIFIED: 0 PLC ± 1 PLC ±0.3 2 PLC ±0.13 3 PLC ±0.050 4 PLC ± ANGLES ±1°		NAME CONTACT, AMP POWER SERIES 350, 1/0 AWG	
MATERIAL -		FINISH -		PRODUCT SPEC - APPLICATION SPEC - WEIGHT -	
CUSTOMER DRAWING				SIZE A3 CAGE CODE 00779 DRAWING NO C-1604055	RESTRICTED TO -
				SCALE 3:2	SHEET 1 OF 1 REV B