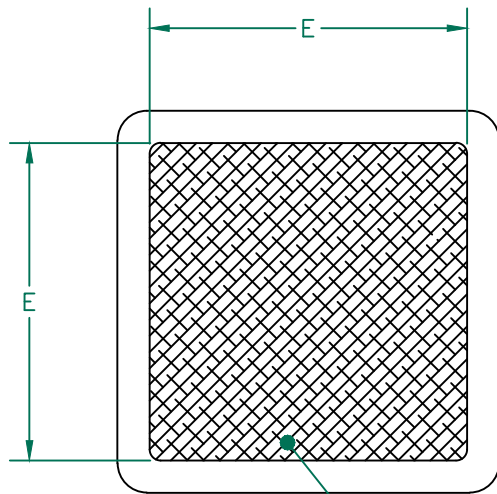


R 2.00 [.080]
4 PLCS



ADHESIVE TAPE

UNCONTROLLED DOCUMENT



NOTES:

1. CORE: MP1040-1B0.
2. ADHESIVE: P/N 21228.
3. REFERENCE 3M TAPE 468MP ADHESIVE TRANSFER TAPE OR ENGINEER APPROVED ALTERNATIVE.
4. COSMETIC SPECIFICATION REFER TO WI-QA-038.

DIMENSIONS:

A	26.42 [1.040]	± 0.38 [.015]
B	26.42 [1.040]	± 0.38 [.015]
C	1.27 [.050]	± 0.15 [.006]
D	0.13 [.005]	TYP.
E	21.97 [.865]	TYP.

WEIGHT/1000 4.36 kgs [9.62 Lbs]

DIMENSIONS ARE IN mm [INCHES].				This print is the property of Laird Tech. and is loaned in confidence subject to return upon request and with the understanding that no copies shall be made without the written consent of Laird Tech. All rights to design or invention are reserved.					
REV	DESCRIPTION	DATE	INT						
H	UPDATE THE LOGO	06/19/15	QIU	PROJECT/PART NUMBER: MP1040-100			REV	PART TYPE:	DRAWN BY:
G	CHANGE D DIMENSION	07/09/09	JRK				H	FERRITE PLATE	DTR
F	REMOVE PULLTAB REVISE NOTE #3	06/12/09	JRK	DATE:	02/11/98	SCALE:	2 : 1	MATERIAL:	Ferrite
E	UPDATE COMPANY LOGO & NOTE 3	12/11/08	JRK	CAD #	MP1040-100-H	TOOL #	P1040		
D	STANDARDIZE PRINT FORMAT	09/22/05	JRK						
C	RE-ACTIVATE PRINT UPDATE PRINT FORMAT, ADD NOTE	09/27/04	JRK						
B	UPDATE PRINT FORMAT, REVISED NOTES CHANGED DIM E, ADD NOTE 9 & CALL-OUT	08/25/99	JAJ						
A	ORIGINAL DRAFT	02/11/98	DTR						
REV	DESCRIPTION	DATE	INT						