

NOTES:

1. MATERIALS AND FINISHES

- HOUSING - BRASS, NICKEL PLATED
- BODY - BERYLLIUM COPPER, NICKEL PLATED
- CONTACT PIN - BRASS, GOLD PLATED
- COVER - BRASS, NICKEL PLATED
- INSULATOR - PTFE, NATURAL
- INSULATOR - DELRIN, NATURAL

2. ELECTRICAL:

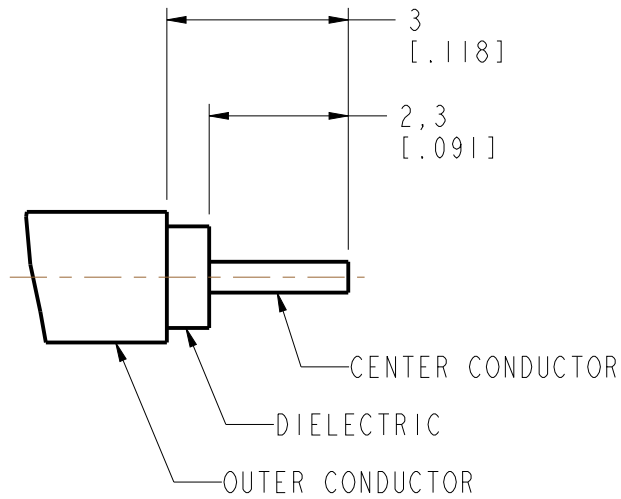
- A. IMPEDANCE: 50 OHM, NOMINAL
- B. FREQUENCY RANGE: 0 - 6 GHz
- C. VSWR (RETURN LOSS): 1.300 (-17.7 dB) MAX.
- D. D.W.V.: 1000 VRMS, MIN.

3. MECHANICAL:

- A. DURABILITY: 500 CYCLES MIN.
- B. TEMPERATURE RANGE: -40°C TO +85°C

4. CABLE ASSEMBLY INSTRUCTIONS:

- A. TRIM CABLE AS SHOWN
- B. INSERT CABLE INTO BODY UNTIL IT BOTTOMS
- C. SOLDER CABLE OUTER CONDUCTOR TO BODY
- D. SOLDER CABLE CENTER CONDUCTOR TO CONTACT, THE SOLDER MUST NOT PROTRUDE ABOVE THE CENTER CONTACT END SURFACE
- E. ORIENT REAR INSULATOR SLOT WITH CABLE DIELECTRIC AND INSERT TO DIMENSION SHOWN
- F. INSERT CAP UNTIL FLUSH WITH SURFACE OF BODY, INSERTION TOOLING MUST ENSURE THAT CAP SURFACE IS PARALLEL TO BODY SURFACE

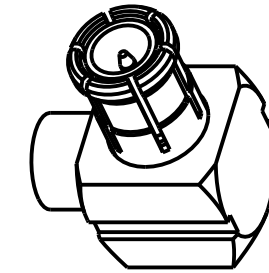
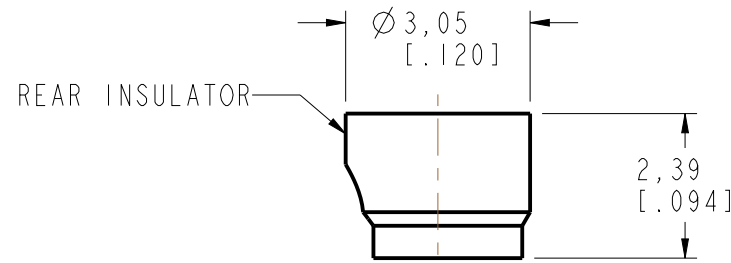
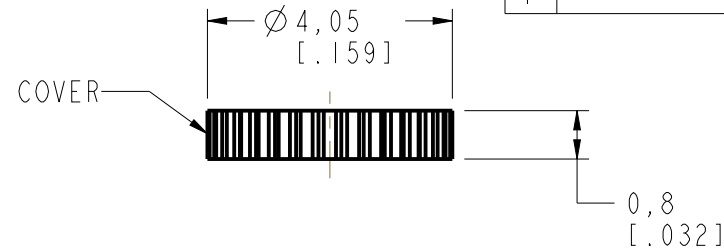


RECOMMENDED CABLE STRIPPING DIM'S

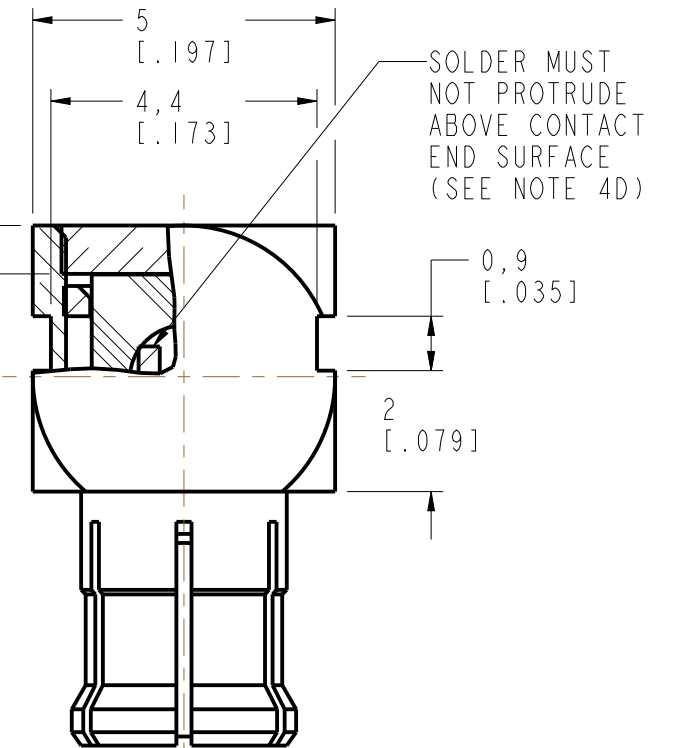
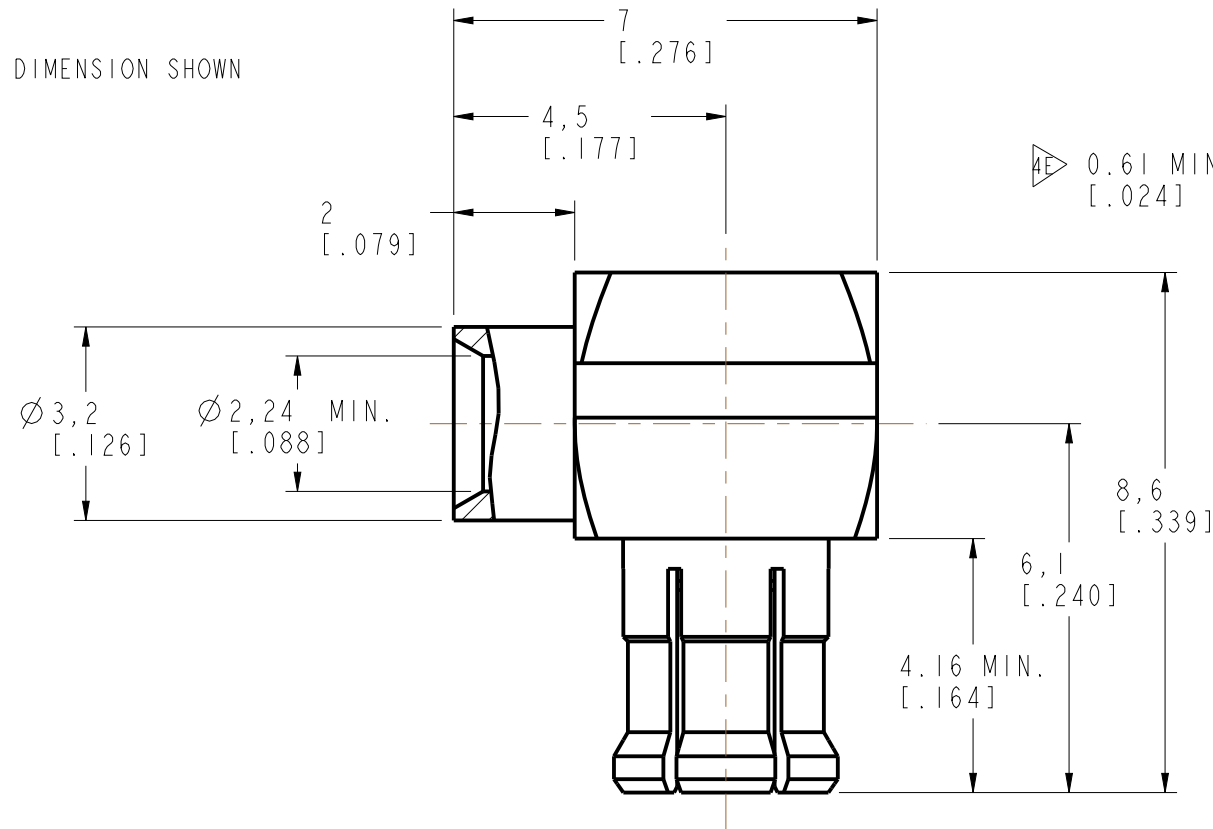
THIRD ANGLE PROJ.

REVISIONS

REV	DESCRIPTION	DATE	ECO	APPR
A	RELEASE TO MFG.	24-Aug-00	----	Gissy
F	SYNCH DRAWING WITH CONNEX	20-Aug-14	2794	BCG



SCALE 4.000



CUSTOMER OUTLINE DRAWING
ALL OTHER SHEETS ARE FOR INTERNAL USE ONLY

UNLESS OTHERWISE SPECIFIED, DIMENSIONS ARE IN METRIC AND TOLERANCES ARE:
 <0.5mm ±0.05mm 0.5 - 6mm ±0.1mm 6 - 30mm ±0.2mm 30 - 120mm ±0.3mm ANGLES ±1°

NOTICE - These drawings, specifications, or other data (1) are, and remain the property of Amphenol corp. (2) must be returned upon request; and (3) are confidential and not to be disclosed to any person other than those to whom they are given by Amphenol Corp. the furnishing of these drawings, specifications, or other data by Amphenol Corp., or to any other person to anyone for any purpose is not to be regarded by implication or otherwise in any manner licensing, granting rights to permitting such holder or any other person to manufacture, use or sell any product, process or design, patented or otherwise, that may in any way be related to or disclosed by said drawings, specifications, or other data.

MATERIAL	DRAWN M. ZHANG	DATE 14-May-14	TITLE MCX R/A DIRECT SOLDER PLUG (FOR .085", .086")		Amphenol Connex
REFERENCE MCX1182AI-NT30G-.085-50	ENGINEER S. DUAN	DATE 14-May-14	DRAWING NO.		
FINISH	APPROVED S. HSIEH	DATE 14-May-14	SCALE: 8.0:1.0	SHEET 3 OF 3	ITEM NO.
	CAD FILE		DWG SIZE B	REV F	PART NO. 252217