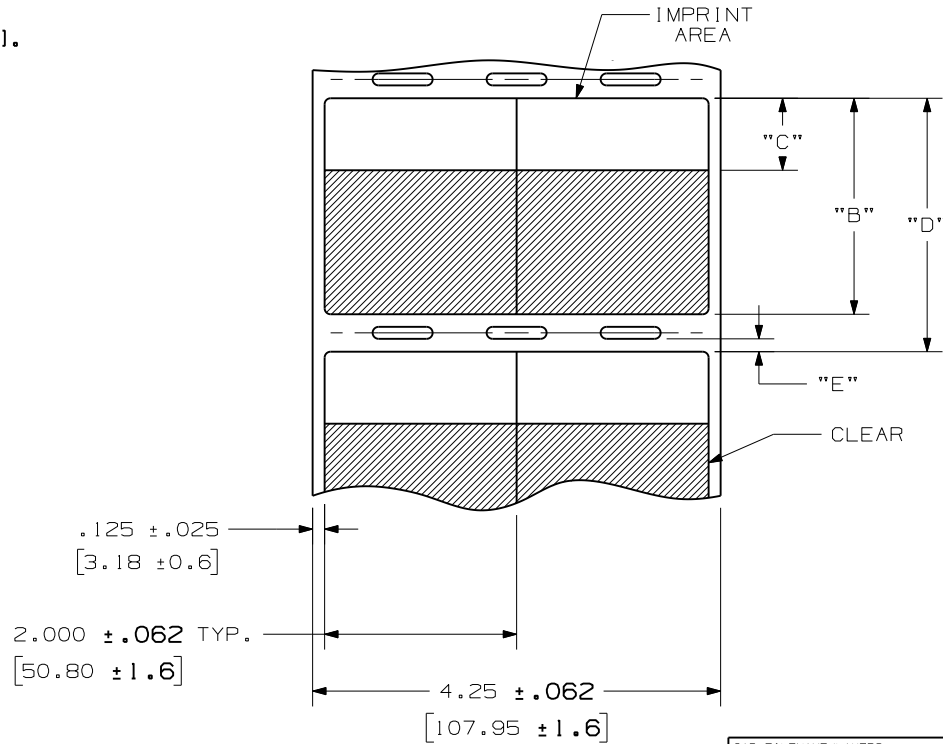


THIS COPY IS PROVIDED ON A RESTRICTED BASIS AND IS NOT TO BE USED IN ANY WAY DETRIMENTAL TO THE INTERESTS OF PANDUIT CORP.

PART NUMBER	MATERIAL	"B" HEIGHT +/- .062	IMPRINT AREA "C" +/- .062	VERTICAL REPEAT "D" +/- .062	"E" +/- .025	LABELS PER ROW	STANDARD PKG. QTY.
S200X225VA1Y	GMV16 OR GMV17	2.25 [57.2]	0.75 [19.1]	2.50 [63.5]	0.063 [1.60]	2	500
S200X400VA1Y		4.00 [101.6]	1.00 [25.4]	4.25 [108.0]			
S200X650VA1Y		6.50 [165.1]	1.50 [38.1] +/- .10	6.75 [171.5]			

3

NOTES:
1. MILLIMETERS ARE IN [].



CAD FILENAME/LAYERS 100472BR-DC-C10193/04D

PANDUIT CORP. TINLEY PARK, ILLINOIS

CUSTOMER DRAWING
OPTIMUM SELF-LAM. S200X***VA1Y
THERMAL TRANSFER PRINTABLE LABELS

UNLESS OTHERWISE SPECIFIED,
DIMENSIONAL TOLERANCES ARE:
(.X) ± .12 (.XXX) ± .025
(.XX) ± .062 ANGLES ±

UNLESS OTHERWISE SPECIFIED,
ALL DIMENSIONS ARE GIVEN
IN INCHES, THIRD ANGLE PROJECTION.

REV	DATE	BY	CHK	DESCRIPTION	ECN	R	CUST	SUP
3	10/25/11	RVU		"GMV16 OR GMV17" WAS "GMV16".	6548	R		
2	12/10/09	RVU		OBS. PN: S200X***VA1 AND S200X400TA1. UPDATE ALL STANDARD TOLERANCES EXCEPT 1.50 +/- .10.	5925	R		
1	1-8-07	RVU		REVISED TOLERANCES.	4830	R		
0	9-11-06	RVU		DRAWING RELEASE.	4671	R		

DRAWN BY
RVU

DATE
9-22-04

CHK'D
[Signature]

MAT'L:
SEE TABLE

SCALE
NTS

DRAWING NO.
C10193

DWG
SIZE
A