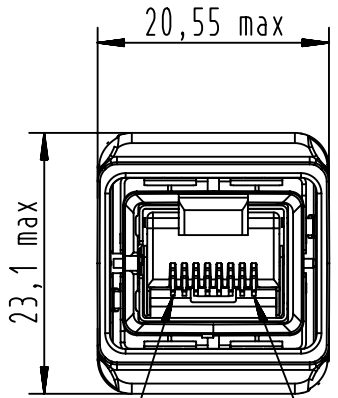
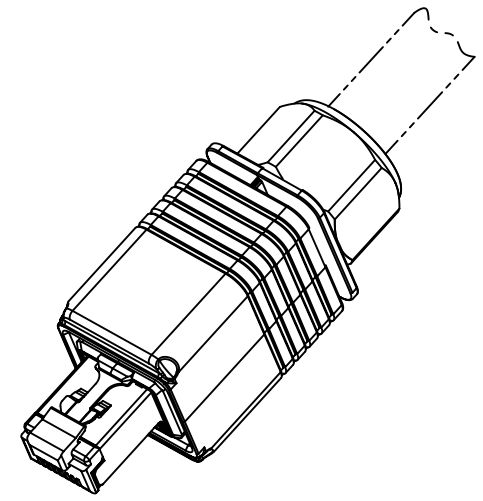


A
B
C
D

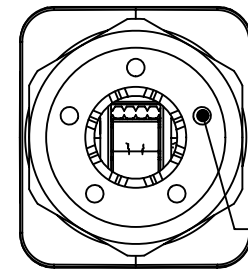
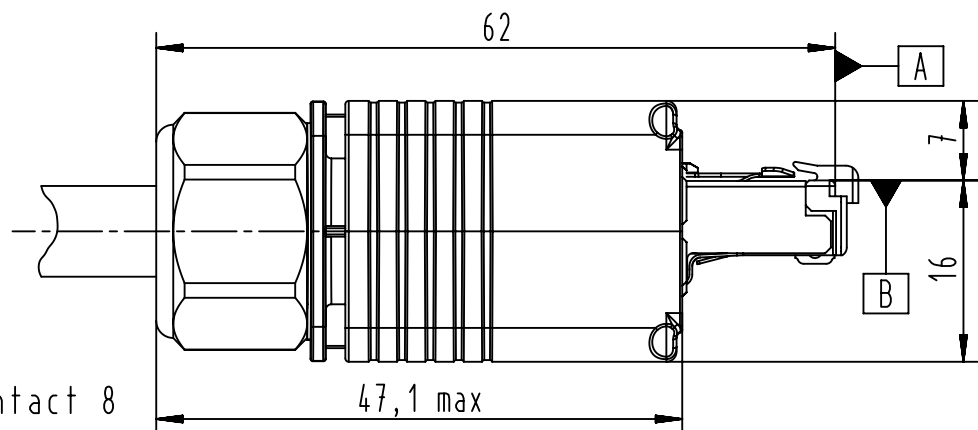
Cable \varnothing 4,9 to 8,6mm

Mating face according to IEC 60603-7

Seal + cage clamp + PG9 nut



Contact 1 Contact 8



On request :
color coding ring
for PG9 nut
TB 09 45 840 001X

Data contact plating: Au 1.27 μ m (50 μ inch) over nickel

- For stranded conductors AWG 28 up to AWG 24
- Max. wire diameter 1.05mm
- Cable diameter 4.9 to 8.6mm
- Degree of protection IP65/IP67
- Cat.6A performance class EA suitable for 1/10 Gigabit Ethernet
- Temperature range -40°C up to +70°C
- 750 mating cycles

	All Dimensions in mm Original Size DIN A4	Scale 1:1	Free size tol.		Ref.
	All rights reserved Department EC PD - FR	Created by ATIRIS	Inspected by DAUCHELLE	Standardisation HOFFMANN	Sub.
HARTING Electronics GmbH D-32339 Espelkamp	Title HPP V4 RJ45 GL plug Cat6A8p,met.				Doc-Key / ECM-Nr. 100515099/UGD/001/B 500000059856
	Type TB	Number 09451951520	Date 2013-03-19	State Final Release	Rev. B Page 1/1