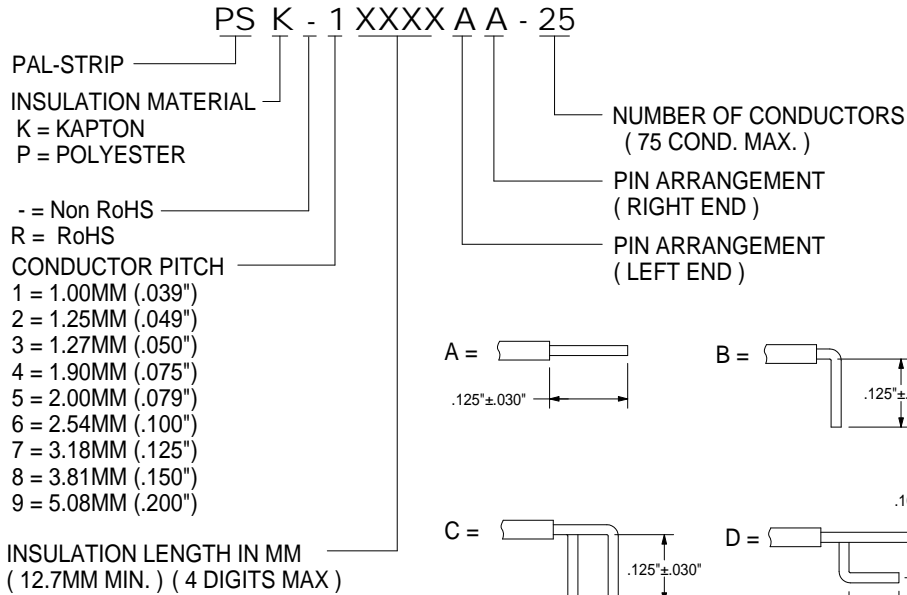


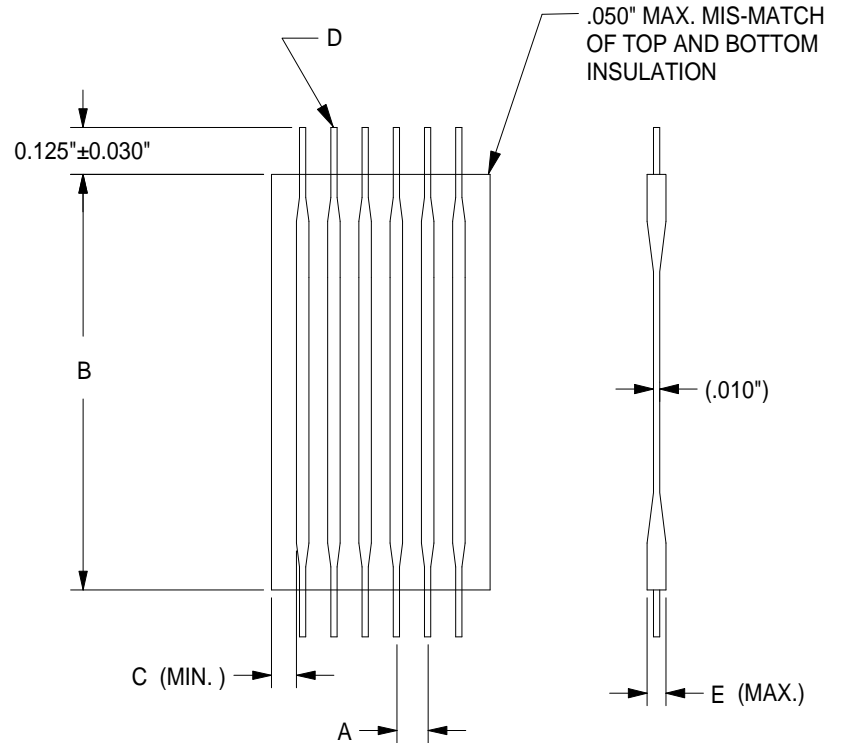
PART NUMBER CONFIGURATION



INSULATION LENGTH B	TOLERANCE
0.00-3.00"	± 0.075 " (1.905MM)
3.00-6.00"	± 0.100 " (2.540MM)
6.00-12.00"	± 0.125 " (3.175MM)
12.00-18.00"	± 0.150 " (3.810MM)
18.00-24.00"	± 0.200 " (5.080MM)
24.00-36.00"	± 0.250 " (6.350MM)
OVER 36.00"	$\pm 1\%$ OF LENGTH

NOTE: SOME CONFIGURATIONS MAY REQUIRE TOOLING CHARGES WHEN ORDERED

PROPRIETARY INFORMATION NOTICE
This document and the designs, specifications, and engineering information disclosed herein are the property of Parlex USA LLC, and are not to be disseminated or reproduced without expressed written consent. This document is loaned in confidence and then only for consideration of the matter disclosed hereon. In accepting loan of this document, the recipient agrees to keep it and the matter disclosed hereon in confidence and not to use or permit their use in any way detrimental to Parlex USA LLC.



PITCH A ± 0.010 " *	MARGIN C	WIRE GAUGE	PIN DIA. D	(PIN END) E	# OF COND. MIN.-MAX.
1.00MM (.039")	.25MM (.010")	28	.320MM (.0126")	.64MM (.025")	2-75
1.25MM (.049")	.25MM (.010")	28	.320MM (.0126")	.64MM (.025")	2-75
1.27MM (.050")	.25MM (.010")	28	.320MM (.0126")	.64MM (.025")	2-75
1.90MM (.075")	.25MM (.010")	28	.320MM (.0126")	.64MM (.025")	2-60
2.00MM (.079")	.25MM (.010")	26	.404MM (.0159")	.84MM (.033")	2-60
2.54MM (.100")	.25MM (.010")	26	.404MM (.0159")	.84MM (.033")	2-50
3.18MM (.125")	.51MM (.020")	24	.511MM (.0201")	.84MM (.033")	2-35
3.81MM (.150")	.51MM (.020")	24	.511MM (.0201")	.84MM (.033")	2-30
5.08MM (.200")	.51MM (.020")	24	.511MM (.0201")	.84MM (.033")	2-25

* = TOLERANCE ON PITCH NON-CUMULATIVE



ROUND TO FLAT GENERIC SPECIFICATIONS

SIZE B	FSCM 18377	PS-2227	Rev. E
SCALE NONE	SHEET 1 OF 1		