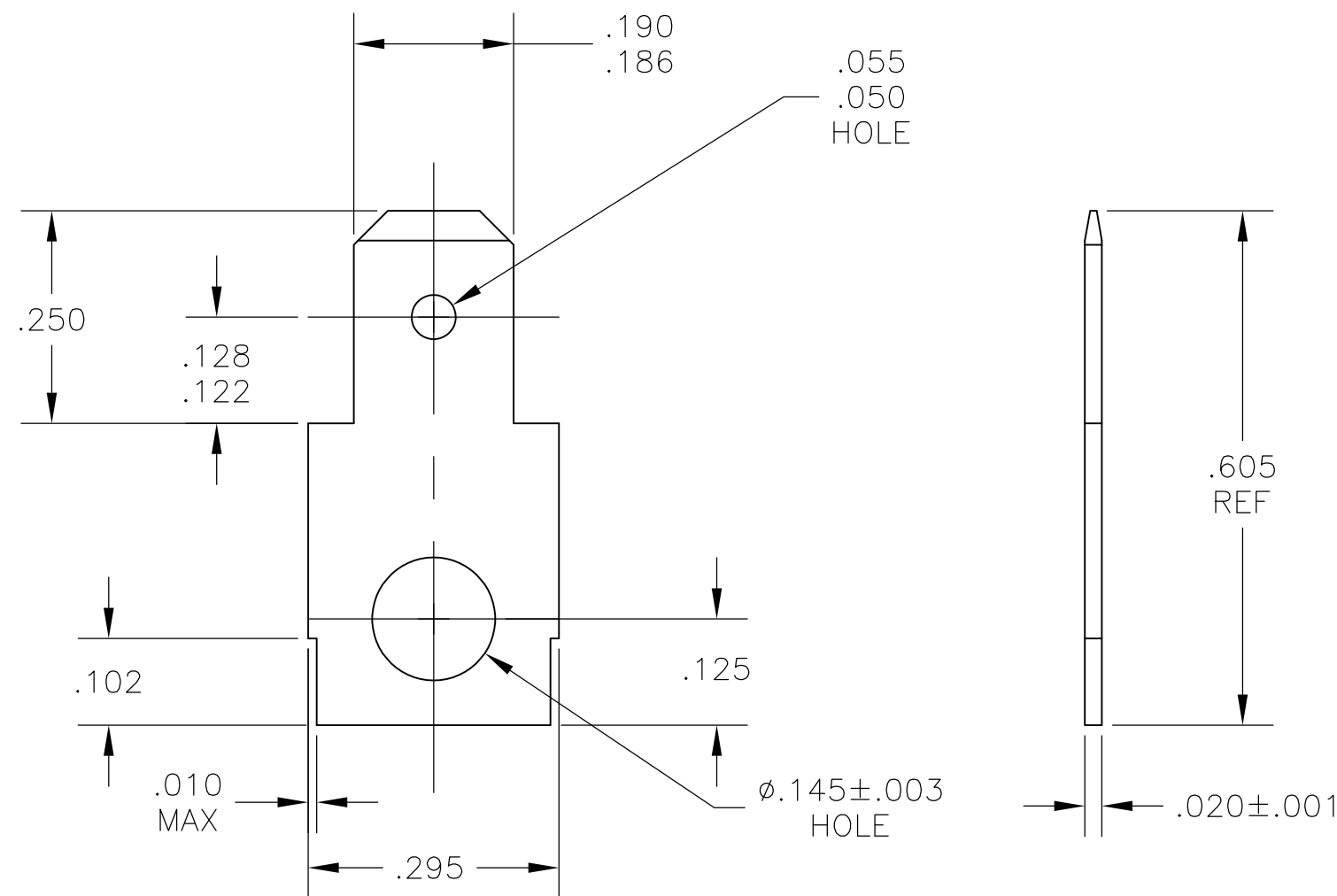


THIS DRAWING IS UNPUBLISHED. RELEASED FOR PUBLICATION
 © COPYRIGHT BY TYCO ELECTRONICS CORPORATION. ALL RIGHTS RESERVED.

LOC		DIST		REVISIONS			
P	LTR	DESCRIPTION		DATE	DWN	APVD	
	B	REVISED PER ECR-10-004058		04JUN10	HMR	PD	



1 SUPPLIED IN LOOSE PIECE

1742041-1
 PART NUMBER

THIS DRAWING IS A CONTROLLED DOCUMENT.		DWN jr_ruth 23DEC2003	Tyco Electronics Corporation Harrisburg, Pa, 17105	
DIMENSIONS: INCHES	TOLERANCES UNLESS OTHERWISE SPECIFIED:	CHK KRISTY YI 23DEC03	NAME TAB, FASTON, .187 SERIES	
	0 PLC ± -	APVD KRISTY YI 23DEC03	PRODUCT SPEC	
	1 PLC ± -	APPLICATION SPEC	-	
MATERIAL	FINISH	WEIGHT	SIZE	CAGE CODE
082 BRASS	TIN	-	A3	00779
CUSTOMER DRAWING			DRAWING NO	RESTRICTED TO
			C-1742041	-
			SCALE	SHEET
			5:1	1 OF 1
			REV	B