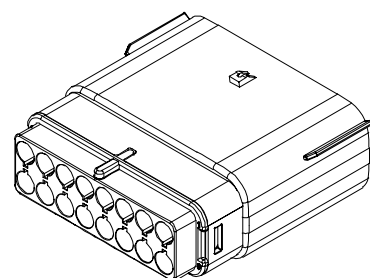
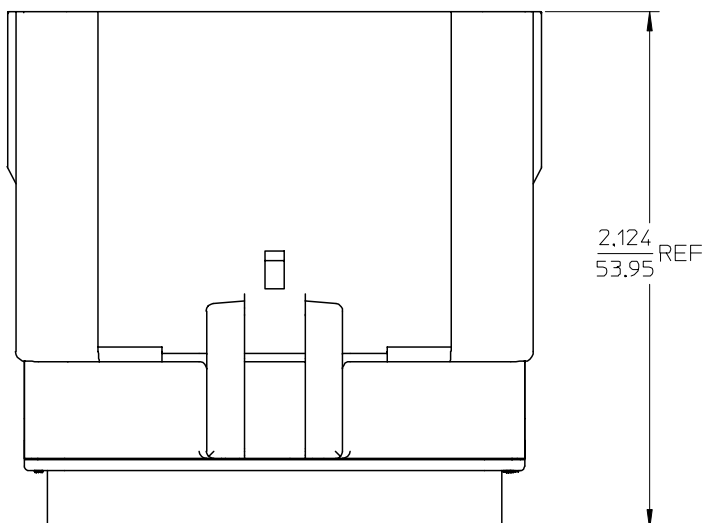
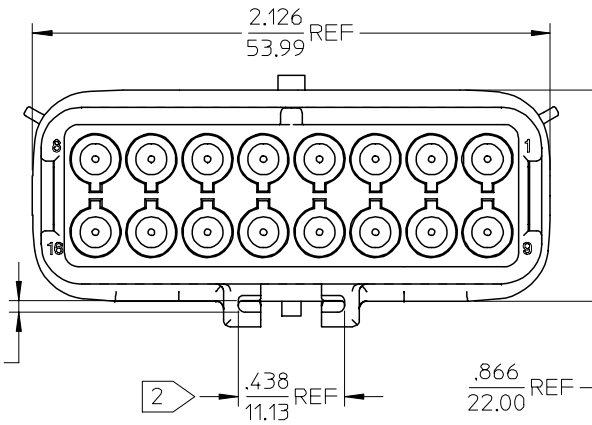
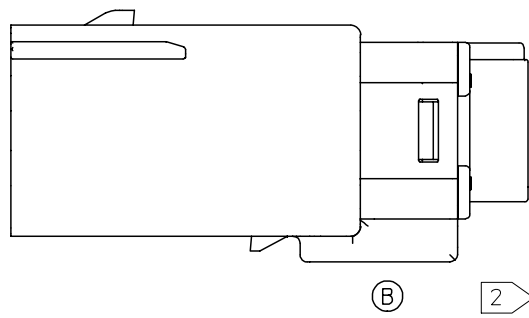
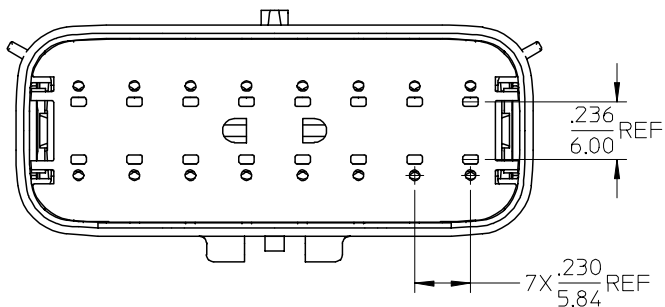


10 9 8 7 6 5 4 3 2 19419



ASSEMBLED VIEW
SCALE 1:1

- NOTES:
1. ASSEMBLY PACKAGED PER PK-19419-001.
 2. MOUNTING SLOT DIMENSIONS.
 3. USE CONNECTOR WITH MALE CRIMP TERMINAL: SERIES 19417.

194190021	16	16-14
194190020	16	22-18
MATERIAL NUMBER	CIRCUIT SIZE	UL WIRE AWG

EC NO: ETC2004-0202 DRWN:DMYRICK 2004/06/03 CHKD:JPALWICK 2004/06/03 APPR:JPALWICK 2004/06/03	QUALITY SYMBOLS	GENERAL TOLERANCES (UNLESS SPECIFIED)	SCALE 2:1	DESIGN UNITS INCH	THIRD ANGLE PROJECTION	REVISE ON CAD ONLY
	DESCRIPTION	mm INCH	DIMENSION STYLE IN/MM	TITLE 16 WAY PLUG ASSEMBLY		
REV B	▽ = 0	4 PLACES ± --- ± ---	DRAWN BY D.MYRICK	DATE 03/12/29		
	▽C = 0	3 PLACES ± --- ± .015	CHECKED BY JPAWLICK	DATE 03/12/29		
		2 PLACES ± 0.38 ± ---	APPROVED BY R.DERROSS	DATE 03/12/29	MATERIAL NO. SEE CHART	DOCUMENT NO. SD-19419-007
		1 PLACE ± --- ± ---	MUST REMAIN WITHIN DIMENSIONS		SHEET NO. 1 OF 1	
		ANGULAR ± 1 °	THIS DRAWING CONTAINS INFORMATION THAT IS PROPRIETARY TO MOLEX INCORPORATED AND SHOULD NOT BE USED WITHOUT WRITTEN PERMISSION		B	

8 7 6 5 4 3 2 1