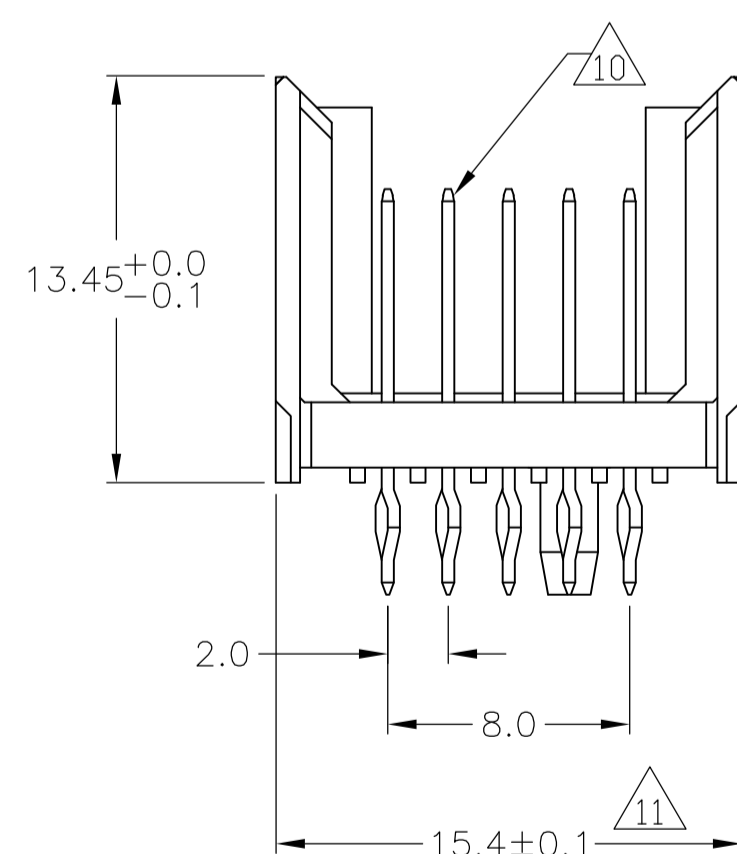
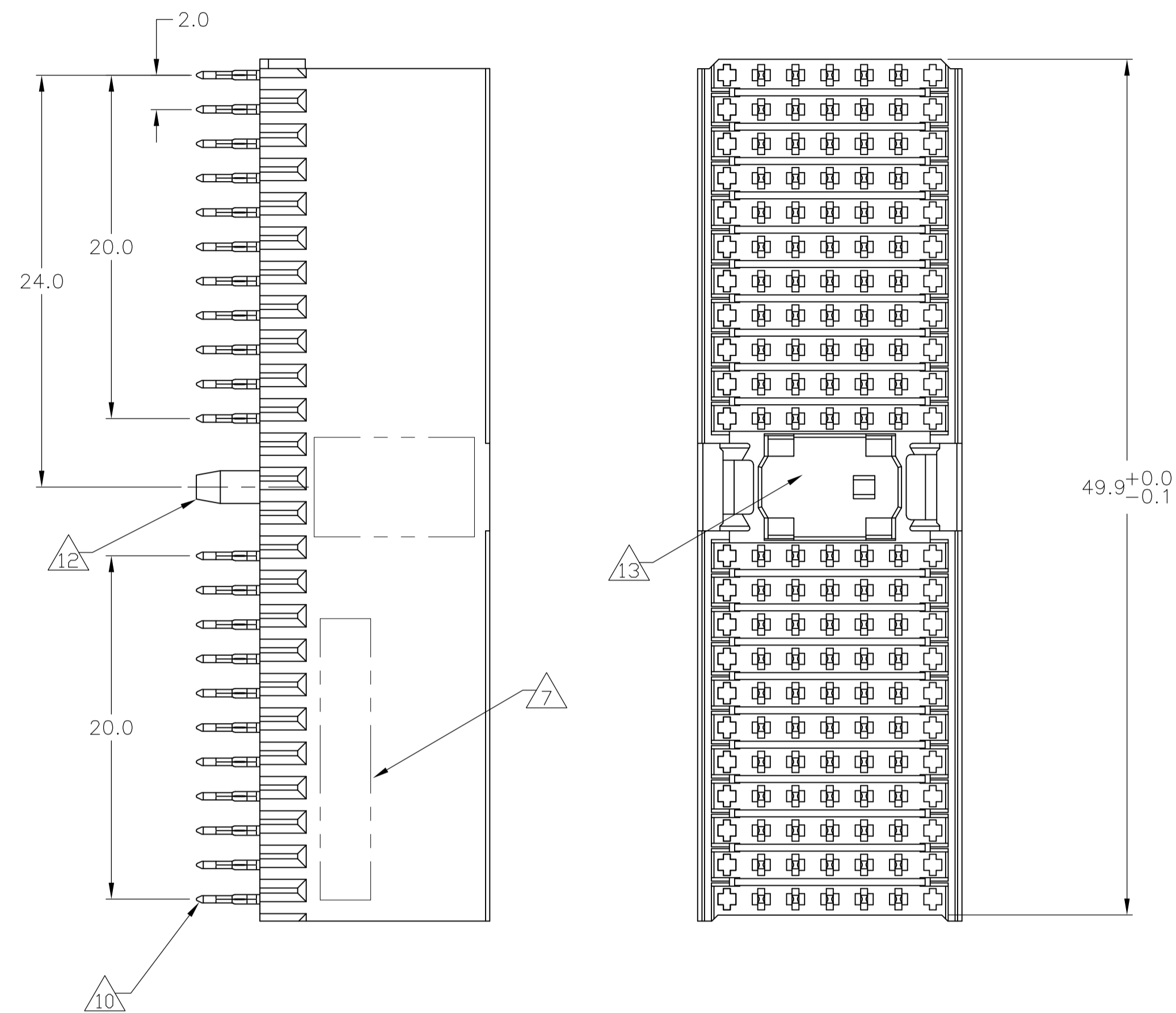
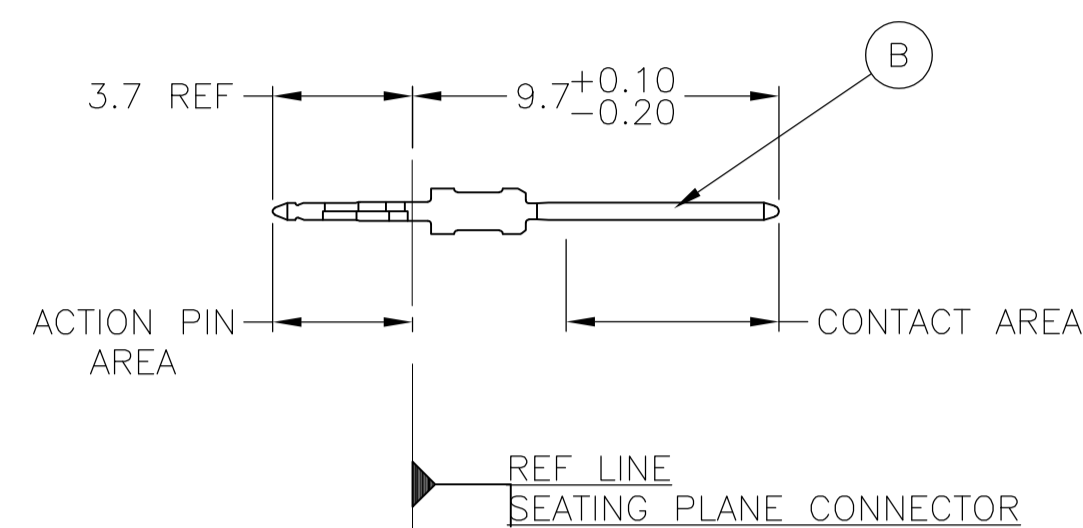


CONNECTOR ASSEMBLY EXAMPLARY LOADED

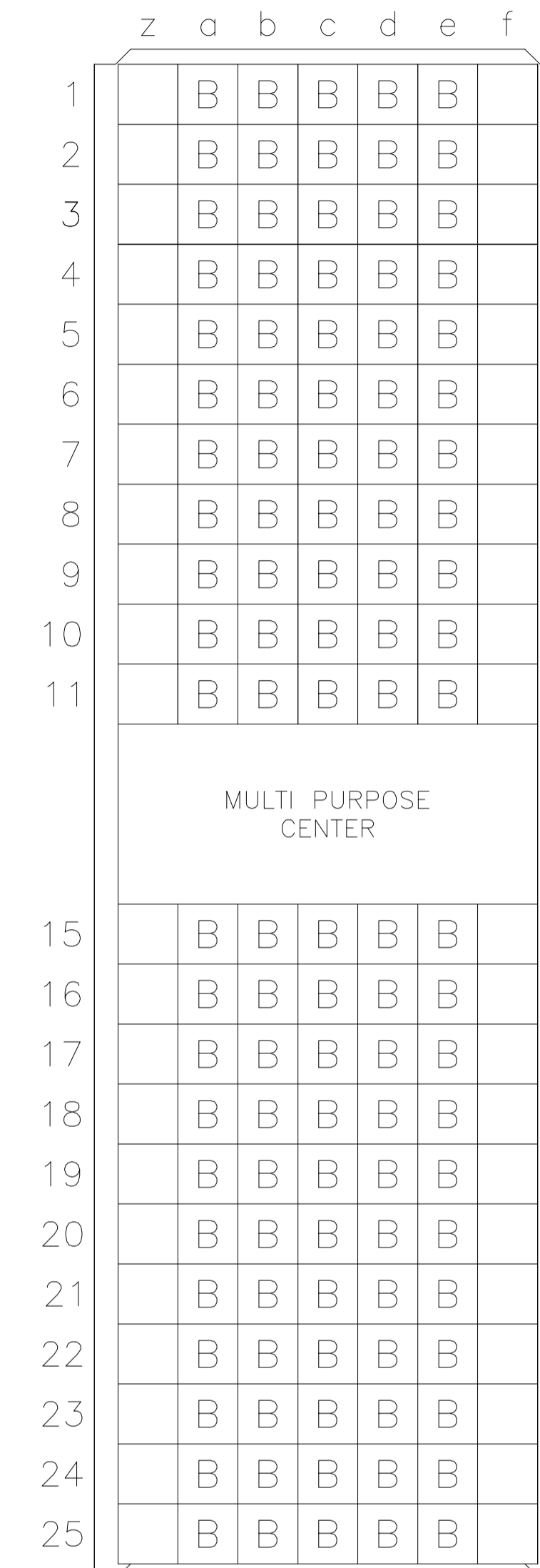


CONTACT DIMENSIONS

SCALE 5:1



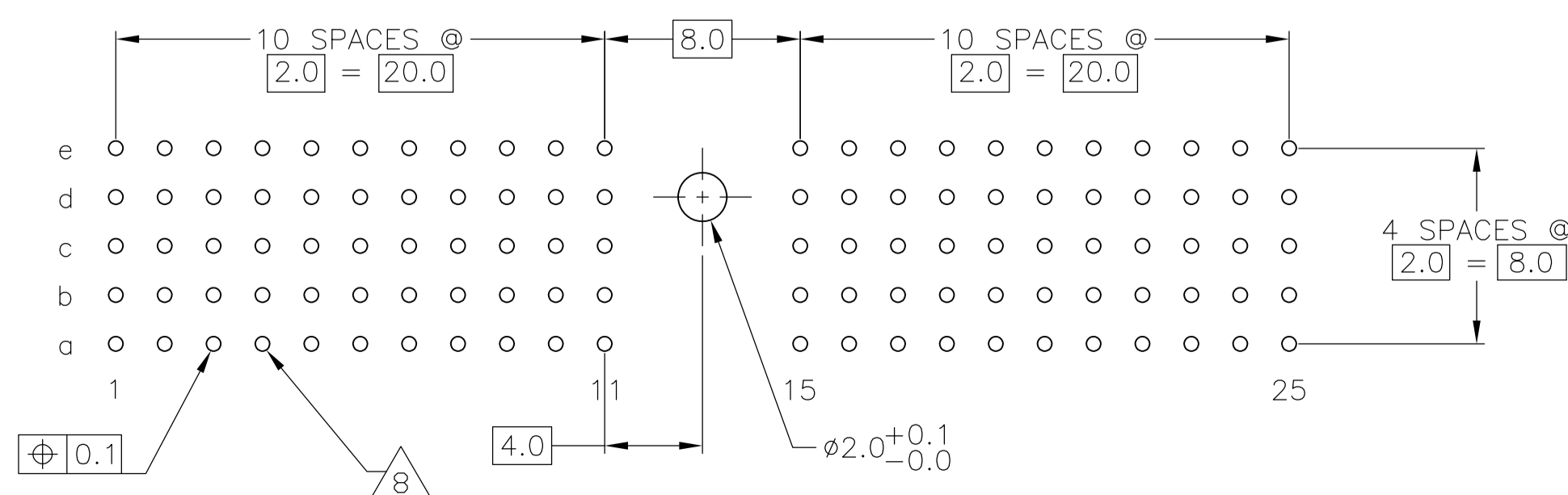
CONTACT LAYOUT



RECOMMENDED PCB-HOLE LAYOUT COMPONENT SIDE SHOWN

PLATED THRU HOLES PARAMETERS

REFERENCE APPLICATION SPECIFICATION




| | |
|--------|-------------|
| 2 6 14 | 1-5188398-9 |
| 2 5 14 | 5188398-9 |
| 2 4 | 5188398-4 |
| 2 3 | 5188398-1 |
| FINISH | PART NUMBER |

| | | | | | |
|--|--|---------------------|--|--------------------------------------|--|
| THIS DRAWING IS A CONTROLLED DOCUMENT. | | DIN B CARBO 06JAN05 | | Tyco Electronics Corporation | |
| DIMENSIONS: MM | | GSKIPPER 06JAN05 | | Harrisburg, PA, 17105-3608 | |
| TOLERANCES UNLESS OTHERWISE SPECIFIED: | | GSKIPPER 06JAN05 | | NAME | |
| 0-PLC ± | | 108-19082 | | MALE ASSEMBLY, Z-PACK 2mm HM, TYPE A | |
| 1-PLC ±0.1 | | APPLICATION SPEC | | SIZE | |
| 2-PLC ± | | 114-19029 | | CAGE CODE | |
| 3-PLC ± | | WEIGHT | | DRAWING NO | |
| 4-PLC ± | | A1 | | 00779 | |
| ANGLES | | CUSTOMER DRAWING | | SCALE 4:1 | |
| SEE TABLE | | SHEET 1 OF 2 | | REV D | |

| LOC | | DIST | | REVISIONS | | | |
|-----|-----|-------------|------|-----------|------|--|--|
| P | LTR | DESCRIPTION | DATE | DN | APVO | | |
| AD | 00 | SEE SHEET 1 | - | - | - | | |

- 1 MATERIAL:
CONTACT: PHOSPHOR BRONZE.
HOUSING: GLASS-FILLED POLYESTER.
- 2 GENERAL PLATING SPECIFICATION: UNDERPLATING
(ENTIRE CONTACT): 1.27µm MIN NICKEL AND ACTION
PIN: 0.5µm MIN TIN.
FOR PLATING OF MATING SURFACES SEE APPLICABLE
SPECIFICATION REFERENCE FOR EACH DASH NUMBER.
- 3 CONFORMS TO ALL TESTING ACCORDING TO IEC 61076-4-101
PERFORMANCE LEVEL 2.
- 4 CONFORMS TO ALL TESTING ACCORDING TO IEC 61076-4-101
PERFORMANCE LEVEL 1.
- 5 CONNECTOR TESTED AND QUALIFIED AGAINST TELCORDIA GR-1217-CORE QUALITY LEVEL 3,
CENTRAL OFFICE APPLICATIONS.
- 6 CONNECTOR TESTED AND QUALIFIED AGAINST TELCORDIA GR-1217-CORE QUALITY LEVEL 3,
UNCONTROLLED ENVIROMENT APPLICATIONS.
- 7 CONNECTOR MARKED WITH PART NUMBER AND DATE CODE.
ADDITIONAL CHARACTERS OR MARKINGS, AS WELL AS THE LOCATION OF THE MARKINGS,
MAY BE ADDED FOR TRACEABILITY BASED UPON MANUFACTURERS DISCRETION.
- 8 PLATED-THROUGH HOLES AT 2x2mm SQUARE GRID
PATTERN DEFINED BY CONTACT LAYOUT.
- 9 FOR ACTUAL PIN LOADING SEE "CONTACT LAYOUT".
- 10 FOR ACTUAL PIN DIMENSIONS SEE "CONTACT DIMENSIONS".
- 11 TO BE MEASURED AT BOTTOM OF SHROUD.
- 12 POLARIZATION FEATURE.
- 13 AREA RESERVED FOR KEYING PART (BASIC P/N 100525)
- 14 CONNECTOR LUBRICATED WITH BELCORE APPROVED LUBRICANT,
TECHNICAL REFERENCE: TR-NWT-001217 ISSUE 1, SEP 1992.
- 15 OBSOLETE PARTS: OBSOLETE CIS STREAMLINING PER D.RENAUD/D.SINISI

| | | | | | |
|---|--|---|--|--|--|
| THIS DRAWING IS A CONTROLLED DOCUMENT. | | DIN B CARBO 06JAN05 | | Tyco Electronics Corporation Harrisburg, PA, 17105-3608 | |
| DIMENSIONS: MM | | TOLERANCES UNLESS OTHERWISE SPECIFIED: 0-PLC ± 0.1 1-PLC ± 0.1 2-PLC ± 0.1 3-PLC ± 0.1 4-PLC ± 0.1 ANGLES ± 0.1 | | APVO G SKIPPER 06JAN05 | |
|  | | PRODUCT SPEC 108-19082 | | NAME MALE ASSEMBLY, Z-PACK 2mm HM, TYPE A | |
| | | APPLICATION SPEC 114-19029 | | RESTRICTED TO | |
| MATERIAL SEE SHEET 1 | | FINISH SEE SHEET 1 | | WEIGHT - | |
| | | CUSTOMER DRAWING | | SCALE 4:1 SHEET 2 OF 2 REV D | |