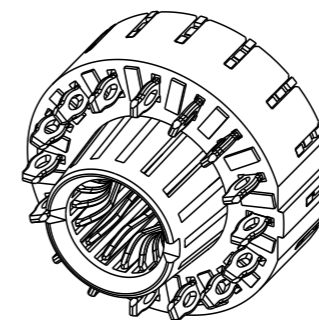
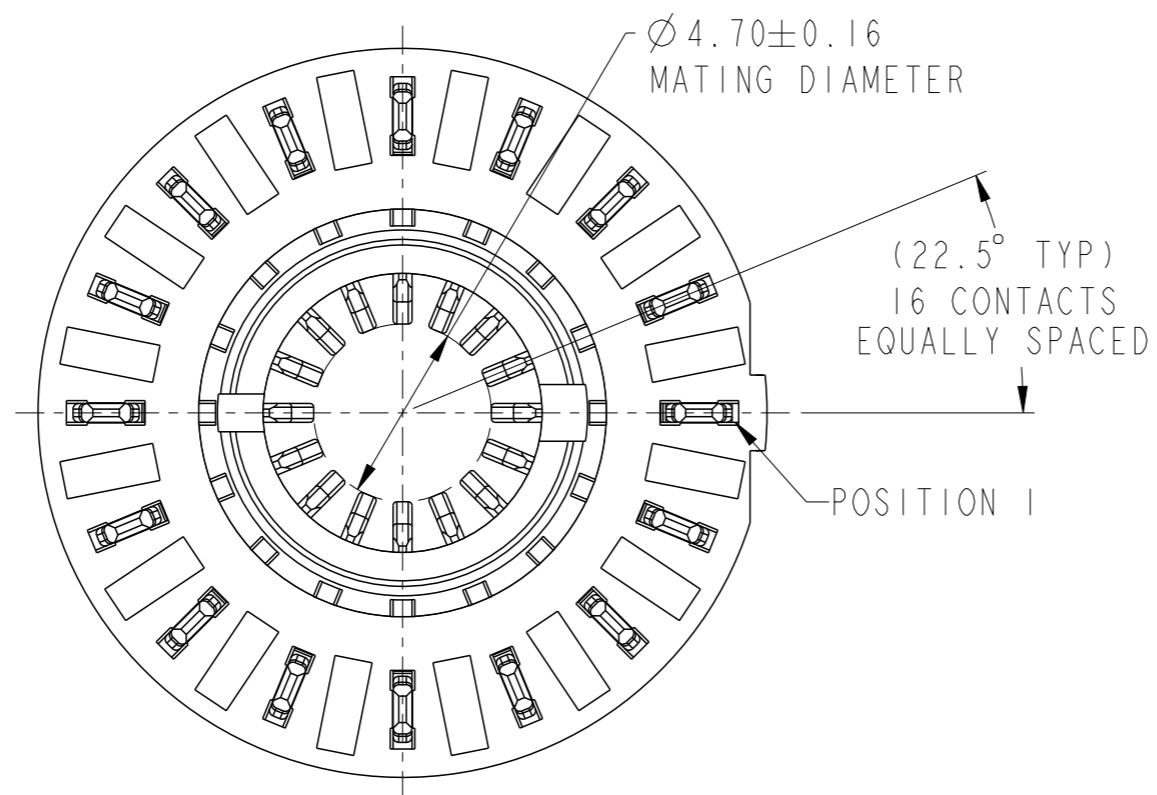
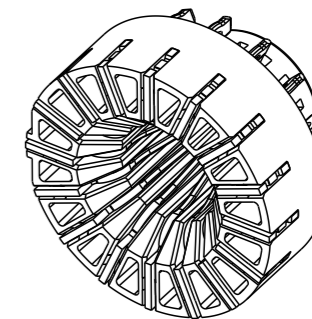


Product number

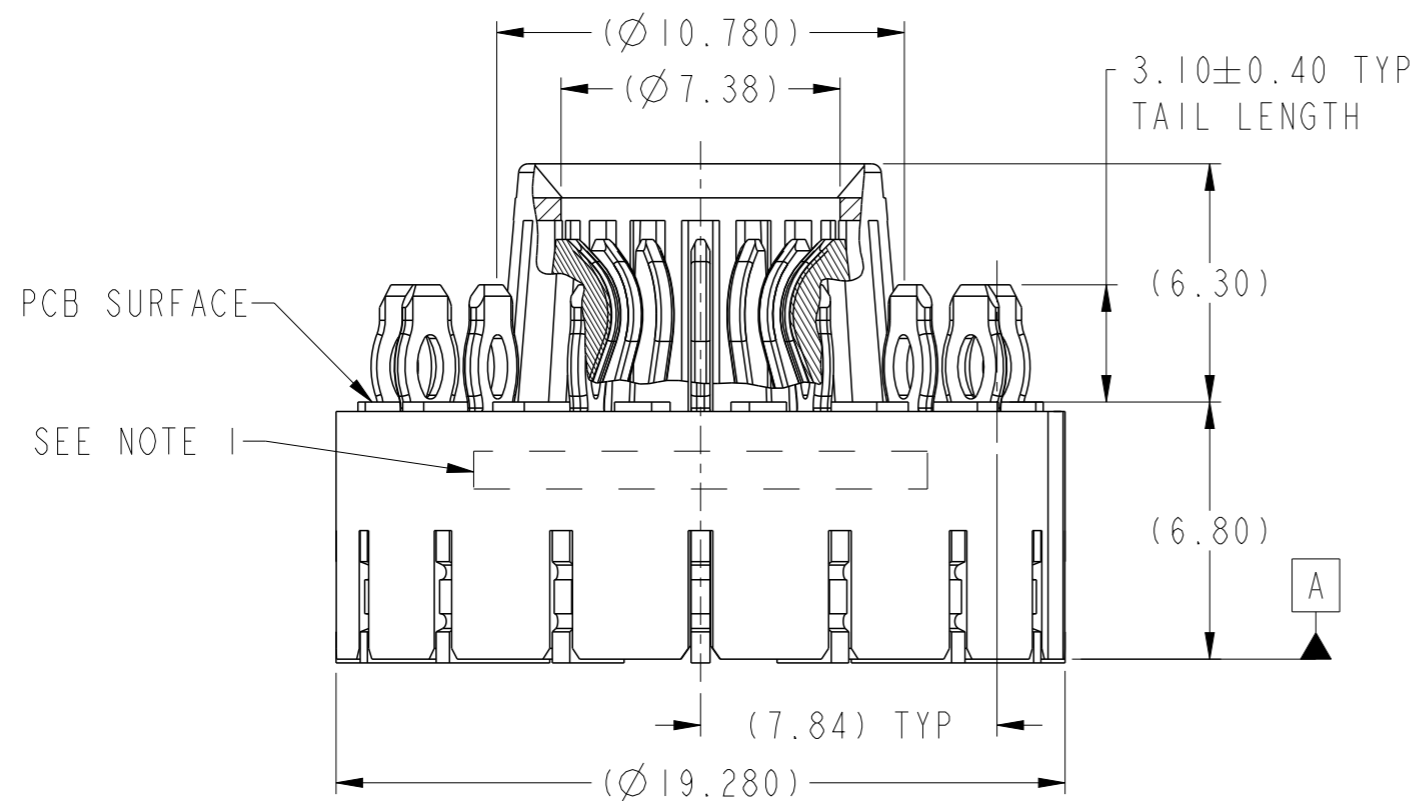
10132381-20600LF



SCALE 2:1



SCALE 2:1



spec ref	-	dr	T Brungard	2015/05/14	projection	mm	size	A3	scale	5:1
tolerance std	ISO 406 ISO 1101	eng	Andy Lu	2017/04/20			ecn no	ELX-DG-26722-1	rel level	Released
TOLERANCES UNLESS OTHERWISE SPECIFIED		chr	QinShan Feng	2017/04/21						
surface	ISO 1302	linear	0.X	±0.5	<b>Amphenol FCI</b> ASSEMBLY FOR Ø6.00mm PIN VERT RECEPTACLE, SheerPwr Circular www.fci.com	cat. no. - Product - Customer Drw	dwg no 10132381-20600LF	rev C	sheet 1 of 2	
		angular	0°	±2°						

A

B

C

D

A

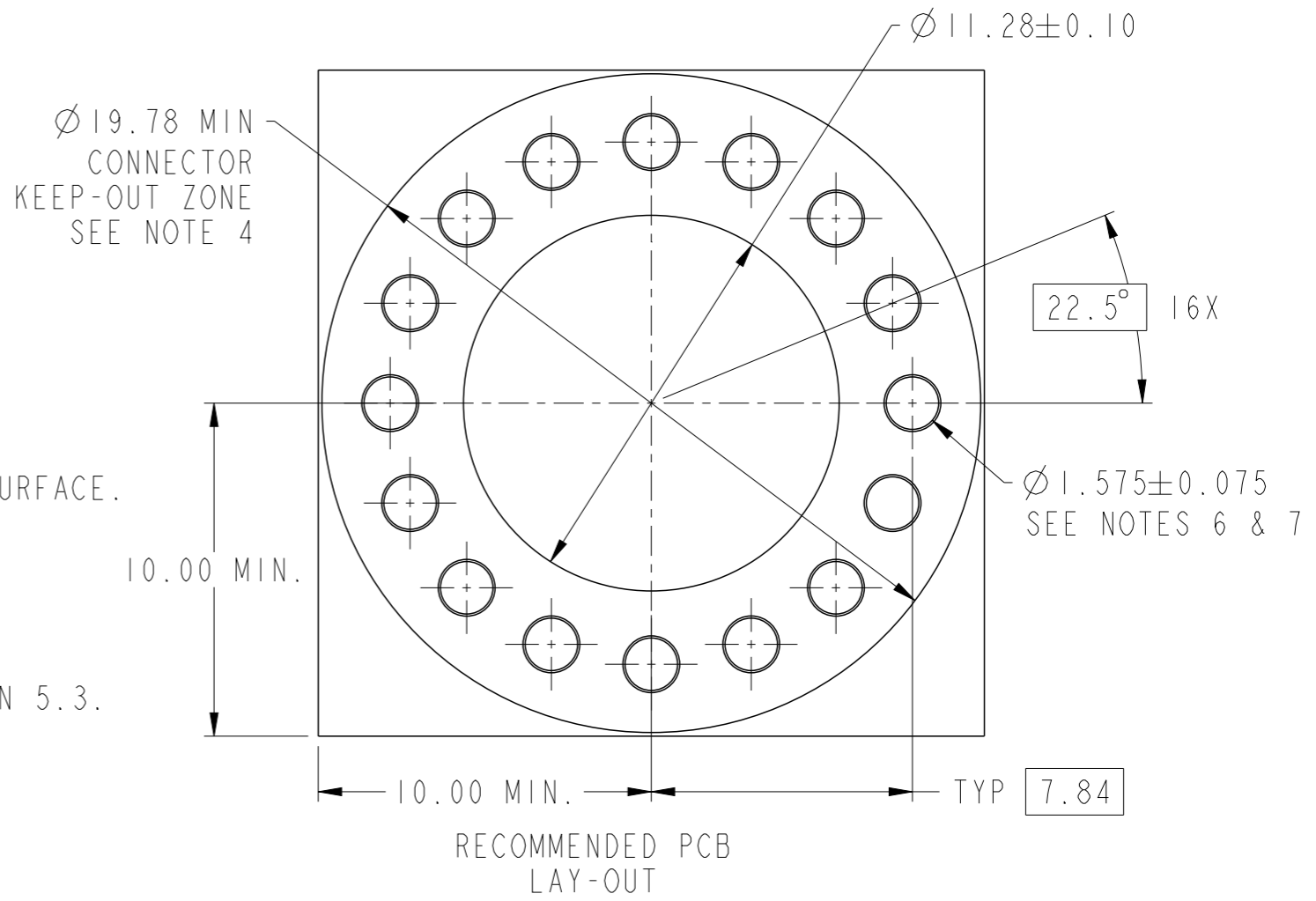
B

C

D

NOTES:

- 1. PART NUMBER AND DATE CODE TO BE MARKED ON THIS SURFACE. THE P/N CAN BE OMITTED IF THERE IS NOT ENOUGH SPACE ON THIS SURFACE.
- 2. MATERIALS:  
HOUSING - GLASS FILLED WITH HIGH TEMP POLYAMIDE, UL94V-0.  
POWER CONTACTS - HIGH CONDUCTIVITY COPPER ALLOY.
- 3. PLATING SPECIFICATION - REFER TO PRODUCT SPECIFICATION SECTION 5.3.
- 4. DENOTES CONNECTOR KEEP OUT ZONE.
- 5. DATUMS AND BASIC DIMENSIONS ARE ESTABLISHED BY CUSTOMER.
- 6. ALL HOLE DIAMETERS ARE FINISHED HOLE SIZES.
- 7. 1.705±0.025mm DRILLED HOLE PLATED WITH 7.62µm MIN Sn OVER 25.4µm-76.2µm Cu PLATING TO ACHIEVE A 1.575±0.075mm FINISHED HOLE.
- 8. PRODUCT SPECIFICATION - REFER TO FCI GS-12-1316.  
APPLICATION SPECIFICATION - REFER TO FCI GS-20-0467.  
PRODUCT PACKAGE IN TRAYS - REFER TO FCI GS-14-2526.
- 9. CONNECTOR DESIGNED TO MATE WITH A Ø6.00±0.03mm MATING PIN. CONNECTOR CAN HANDLE A ±0.64mm PERMANENT MISALIGNMENT OF THE MATING PIN.
- 11. THIS PRODUCT MEETS EUROPEAN UNION DIRECTIVES AND OTHER COUNTRY REGULATIONS AS DESCRIBED IN GS-47-0004.



Amphenol FCI

© 2016 AFCI

spec ref -		dr	T Brungard	2015/05/14	projection	mm	size	A3	scale	5:1	
tolerance std		TOLERANCES UNLESS OTHERWISE SPECIFIED					ecn no	ELX-DG-26722-1			
ISO 406				product family				SheerPwr	rel level	Released	
ISO 1101				apppr	Pei-Ming Zheng	2017/04/21	dwg no		10132381-20600LF	rev	C
surface	linear	0.X	±0.5	Amphenol FCI		ASSEMBLY FOR Ø6.00mm PIN		cat. no.		-	Product - Customer Drw
		0.XX	±0.25	www.fci.com		VERT RECEPTACLE, SheerPwr Circular		sheet 2 of 2			
		0.XXX	±0.100								
ISO 1302	angular	0°	±2°								