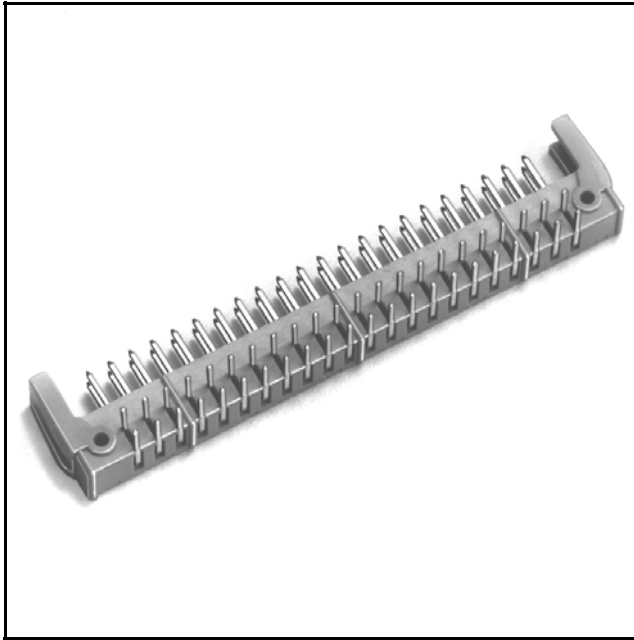


3M™ Compact Header

.100" × .075" Right Angle

502 Series



- Low profile
- Consumes less vertical space
- Economy in system layouts
- Uses standard 2.54 [.1] × 2.54 [.1] pc board hole pattern
- Retro-fit without print changes
- Mates with 501 Series wiremount socket
- See regulatory information appendix (RIA) for chemical compliance information

Date Modified: T 3/28/2011

TS-0300-0
Sheet 1 of 2

Physical

Insulation

Material: Glass Filled Polyester (PBT)

Flammability: UL 94V-0

Color: Gray

Contact

Material: Copper Alloy

Plating

Underplating: 2.03 μm [80 μin] Nickel

Wiping Area: 0.30 μm [12 μin] Gold

Solder Tails: Gold flash

Marking: 3M Logo, Part Identification Number and Orientation Triangle

Electrical

Current Rating: 1 A

Insulation Resistance: $> 1 \times 10^9 \Omega$ at 500 V_{DC}

Withstanding Voltage: 1000 V_{RMS} at Sea Level

Environmental

Temperature Rating: -40°C to +85°C

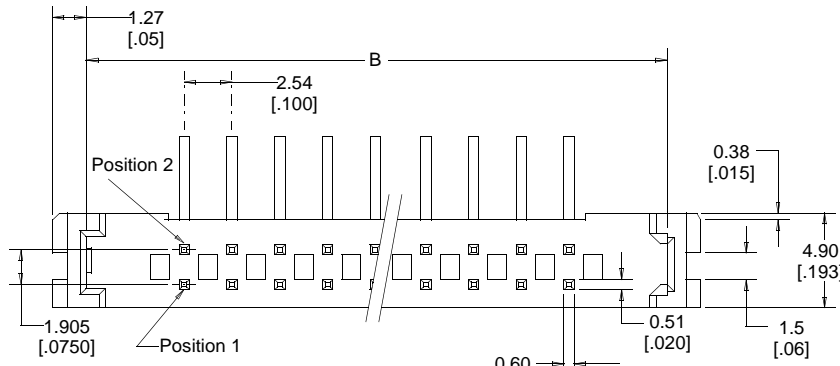
Process Rating: Maximum molded insulator temperature 191°C (Solder Wave Process Only)

UL File No.: E68080

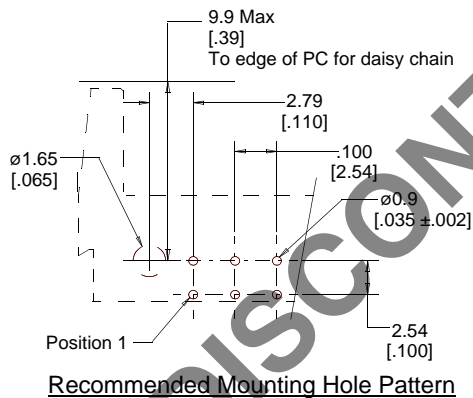
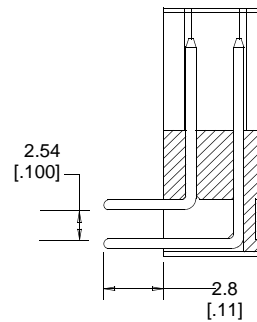
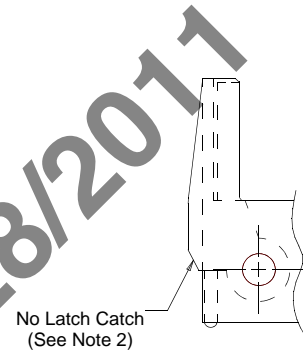
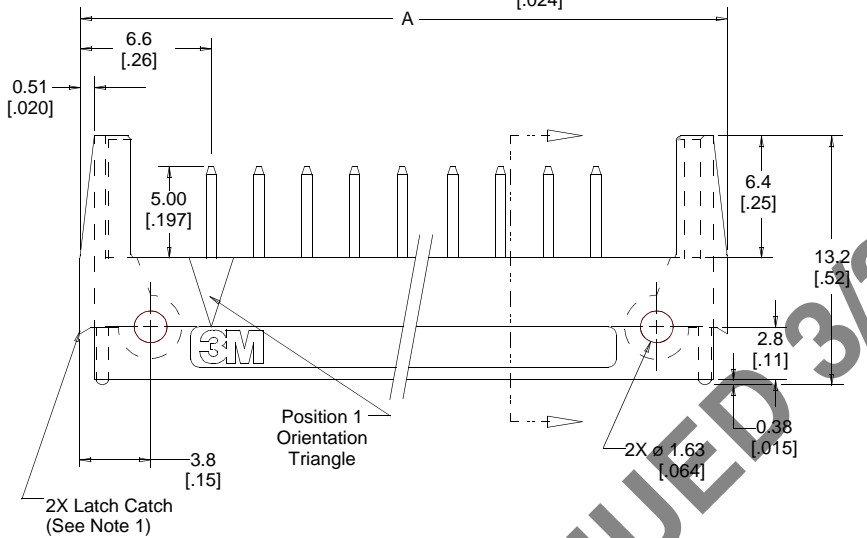
3M™ Compact Header

.100" × .075" Right Angle

502 Series



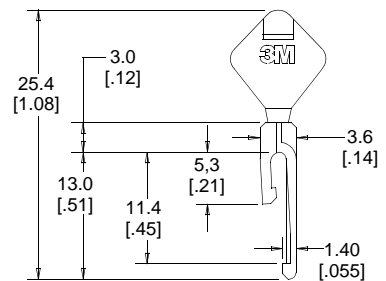
Pin Quantity	Dimension	
	A	B
16	31.2 [1.23]	28.7 [1.13]
20	35.8 [1.41]	33.6 [1.31]
26	43.9 [1.73]	41.4 [1.63]
34	54.1 [2.13]	51.4 [2.02]
40	61.7 [2.43]	58.9 [2.32]
44	66.8 [2.63]	64.0 [2.52]
50	74.4 [2.93]	71.6 [2.82]



mm [Inch]

Tolerance Unless Noted			
	.0	.00	.000
-mm	±.3	±.15	

[] Dimensions for Reference only



Socket Retention Latch
Material: Gray Polyester (PBT)
W/O Strain Relief
(See Note 1)

Notes:

1. Socket retention latch operational on 16, 20 and 50 pin Headers only.
2. No retention latch on positions 26, 34, 40 and 44 Pin Headers.

Ordering Information

502XX-B002PL (RIA E1 & C1 apply)

Pin Quantity:
See Table

Socket Retention Latch
(Order Separately)
3785-2

For recommended 3M mating connectors refer to TS-2203

TS-0300-0
Sheet 2 of 2

DISCONTINUED 3/28/2011

Important Notice

All statements, technical information, and recommendations related to 3M's products are based on information believed to be reliable, but the accuracy or completeness is not guaranteed. Before using this product, you must evaluate it and determine if it is suitable for your intended application. You assume all risks and liability associated with such use. Any statements related to the product which are not contained in 3M's current publications, or any contrary statements contained on your purchase order shall have no force or effect unless expressly agreed upon, in writing, by an authorized officer of 3M.

Warranty; Limited Remedy; Limited Liability.

This product will be free from defects in material and manufacture for a period of one (1) year from the time of purchase. **3M MAKES NO OTHER WARRANTIES INCLUDING, BUT NOT LIMITED TO, ANY IMPLIED WARRANTY OF MERCHANTABILITY OR FITNESS FOR A PARTICULAR PURPOSE.** If this product is defective within the warranty period stated above, your exclusive remedy shall be, at 3M's option, to replace or repair the 3M product or refund the purchase price of the 3M product. **Except where prohibited by law, 3M will not be liable for any indirect, special, incidental or consequential loss or damage arising from this 3M product, regardless of the legal theory asserted.**



3M Electronics Solutions Division

6801 River Place Blvd.
Austin, TX 78726-9000
U.S.A.
1-800-225-5373
www.3Mconnector.com

Please recycle. Printed in USA.
© 3M 2010. All rights reserved.
RIA-2217B-E

3M is a trademark of 3M Company.