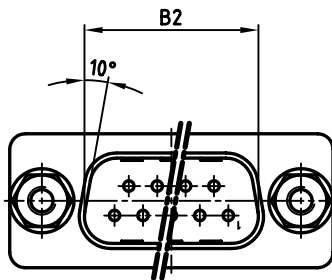
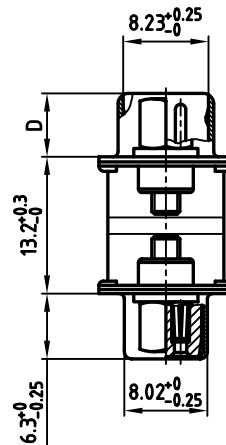
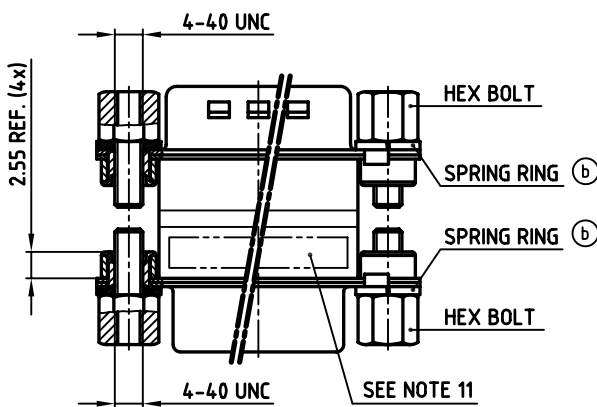
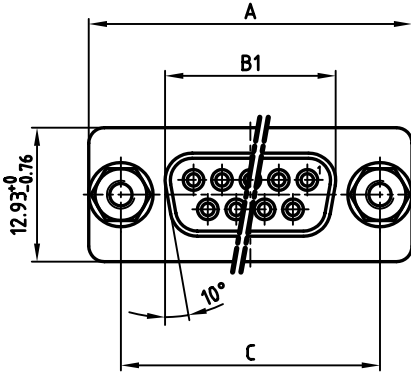


used for: FULL METAL  $\pi$ -FILTER

| POS. | PART NO.<br>SOCKET CONNECTOR / PLUG CONNECTOR 4-40 UNC |                  |                  |                  |
|------|--|------------------|------------------|------------------|
|      | 2 x 180pF±20%  | 2 x 370pF±20%    | 2 x 830pF±20%    | 2 x 1300pF±20%   |
| 9    | MAP1XAAAH02R361X                                       | MAP1XAAAH02R741X | MAP1XAAAH02R162X | MAP1XAAAH02R262X |
| 15   | MAP2XAAAH02R361X                                       | MAP2XAAAH02R741X | MAP2XAAAH02R162X | MAP2XAAAH02R262X |
| 25   | MAP3XAAAH02R361X                                       | MAP3XAAAH02R741X | MAP3XAAAH02R162X | MAP3XAAAH02R262X |
| 37   | MAP4XAAAH02R361X                                       | MAP4XAAAH02R741X | MAP4XAAAH02R162X | MAP4XAAAH02R262X |

| POS. | A <sup>-0.76</sup> | B1 <sup>-0.25</sup> | B2 <sup>+0.25</sup> | C                                       | D <sup>-0.3</sup> |
|------|--------------------|---------------------|---------------------|---|-------------------|
| 9    | 31.19              | 16.46               | 16.79               | 25.00 <sup>+0.12</sup> <sub>-0.13</sub> | 6.12              |
| 15   | 39.52              | 24.79               | 25.12               | 33.30 <sup>+0.15</sup> <sub>-0.1</sub>  | 6.12              |
| 25   | 53.42              | 38.50               | 38.84               | 47.04 <sup>+0.13</sup>                  | 5.99              |
| 37   | 69.70              | 54.96               | 55.30               | 63.50 <sup>+0.13</sup>                  | 5.99              |



**NOTES:**

- METALSHELLS: STEEL; min. 315µm TIN over 40-80µm NICKEL
- INSULATORS: PBT GF UL 94 V-0, BLACK
- CONTACTS: COPPER ALLOY  
PLATING: 8µm HARD GOLD over min. 50µm NICKEL
- THREADED INSERT: COPPER ALLOY; min. 200µm TIN over 80µm NICKEL
- COLLAR: COPPER ALLOY; min. 200µm TIN over 80µm NICKEL
- HEX BOLT: STEEL; NICKEL PLATED
- SPRING RING: STEEL; NICKEL PLATED
- CAPACITANCE: SEE TABLE
- DIELECTRIC WITHSTANDING VOLTAGE: 300 VDC
- MAXIMUM TORQUE VALUE FOR THREAD: 6 in.LB
- CONNECTOR IS PART MARKED: PART-NO. CONEC ABC

Directive 2002/95 EC  
RoHS  
Compliant

|   |   |
|---|---|
| APPROVAL # FREIGABE # DEBLOCAGE # AUTORIZACION # APPROVAL | APPROVAL # FREIGABE # DEBLOCAGE # AUTORIZACION # APPROVAL |
| CUSTOMER APPROVAL DATE:                                   |   |
| NAME:   | TITLE:  |
| COMPANY NAME:   |   |
| APPROVAL # FREIGABE # DEBLOCAGE # AUTORIZACION # APPROVAL | APPROVAL # FREIGABE # DEBLOCAGE # AUTORIZACION # APPROVAL |

THIS DRAWING MAY NOT BE COPIED OR REPRODUCED IN ANY WAY, AND MAY NOT BE PASSED ON TO A THIRD PARTY, WITHOUT WRITTEN PERMISSION.  
OWNERSHIP AND COPYRIGHT OF CONEC GmbH  
**DO NOT ALTER CAD DRAWING BY HAND**

| rev.  | description | date       | name   | tolerance |
|-------|-------------|------------|--------|-----------|
| 2 x c | Ä 2720      | 06.06.2007 | Lehmen | d-old     |
| 2 x b | Ä 1744      | 06.03.2003 | Parei  |           |
| a     | Origin      |            |        |           |

|   |                     |
|---|---------------------|
| scale: 2:1  | material: SEE NOTES |
| title: FULL METAL $\pi$ -FILTER ADAPTER<br>PLUG / SOCKET 9-37pos.<br>with hex bolts - 4-40 UNC and spring rings |                     |
| dwg no: AutoCAD 2000  | DIN-A 3             |
| <b>24K1A359</b>   |                     |
| part no: SEE TABLE  | sh: 1/1             |

