

PART NAME: KNOB SCALE: 1:1 DATE: 3/10/87 DR. BY HD

THIS DRAWING IS THE PROPERTY OF DAVIES MOLDING COMPANY, IS SUBMITTED SOLELY AS A DESIGN OR ENGINEERING PROJECT.
WE ACCEPT NO RESPONSIBILITY WHATSOEVER FOR THE PRACTICAL APPLICATION OF THE PIECES MADE TO THIS DESIGN.

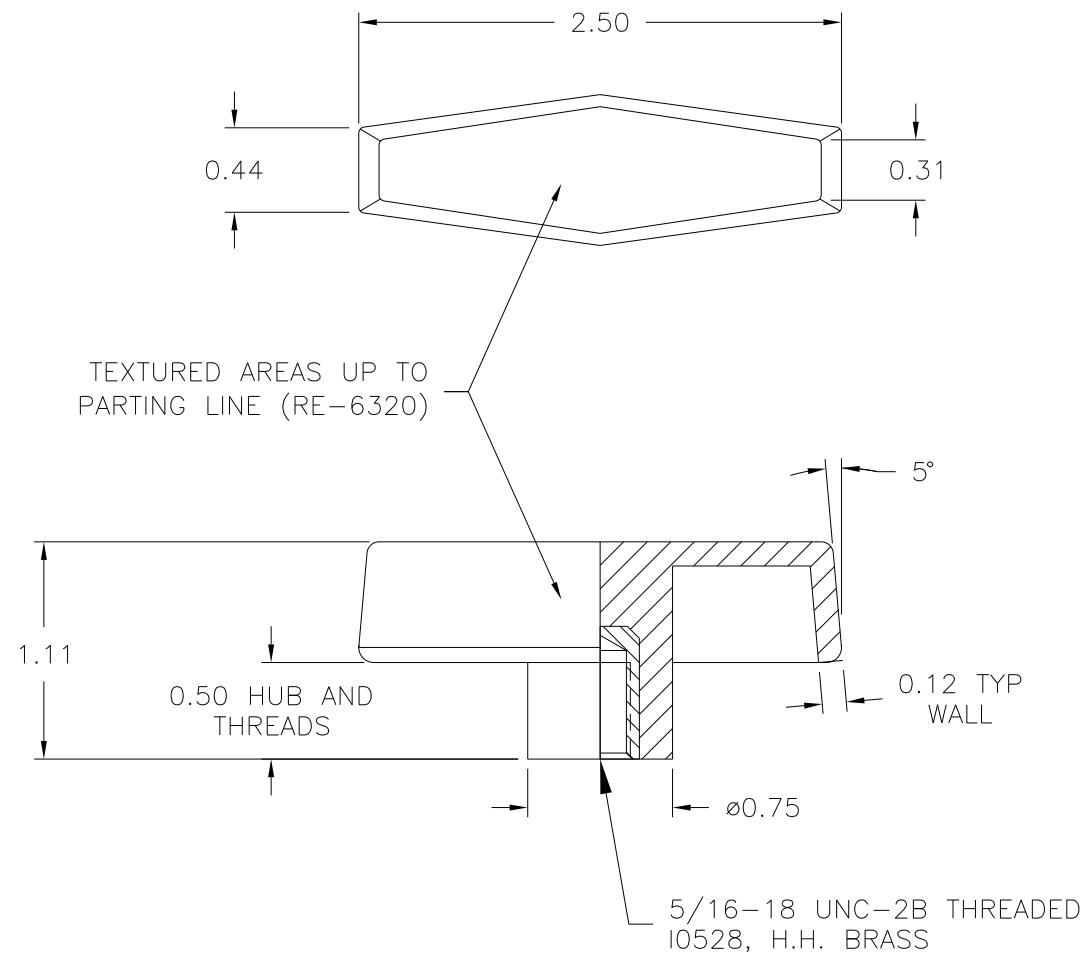


DESIGNERS & MANUFACTURERS
OF KNOBS, HANDLES, CASES &
CUSTOM PLASTIC COMPONENTS

P/N 3088-M

M NO. # 30

CAVITY	3088
CORE	3088
BUSHING	3088
EJECT. PIN	3088
PIN	3088-2
INSERT	I0528



© MATERIAL: NYLON 6/6 (ZY2), (ZY6)
OR ENGINEERING APPROVED EQUIVALENT
COLOR: BLACK

TOLERANCES: UNLESS OTHERWISE SPECIFIED	DO NOT SCALE DRAWING	C	WAS CLC. ADDED ZY6	JAM	6/25/12
		B	ADDED MAT. CODE	DS	1/9/07
DECIMALS: X.XXX ± .005 X.XX ± .015	MM: X.XX ± 0.15MM X.X ± 0.4MM	-	RE-DID REDRAW	TL	11/11/99
		-	CAD REDRAW	HD	11/2/92
FRACTIONS ± 1/64	ANG. ± 1°	A	WAS I1500	HD	8/7/92

CHANGES