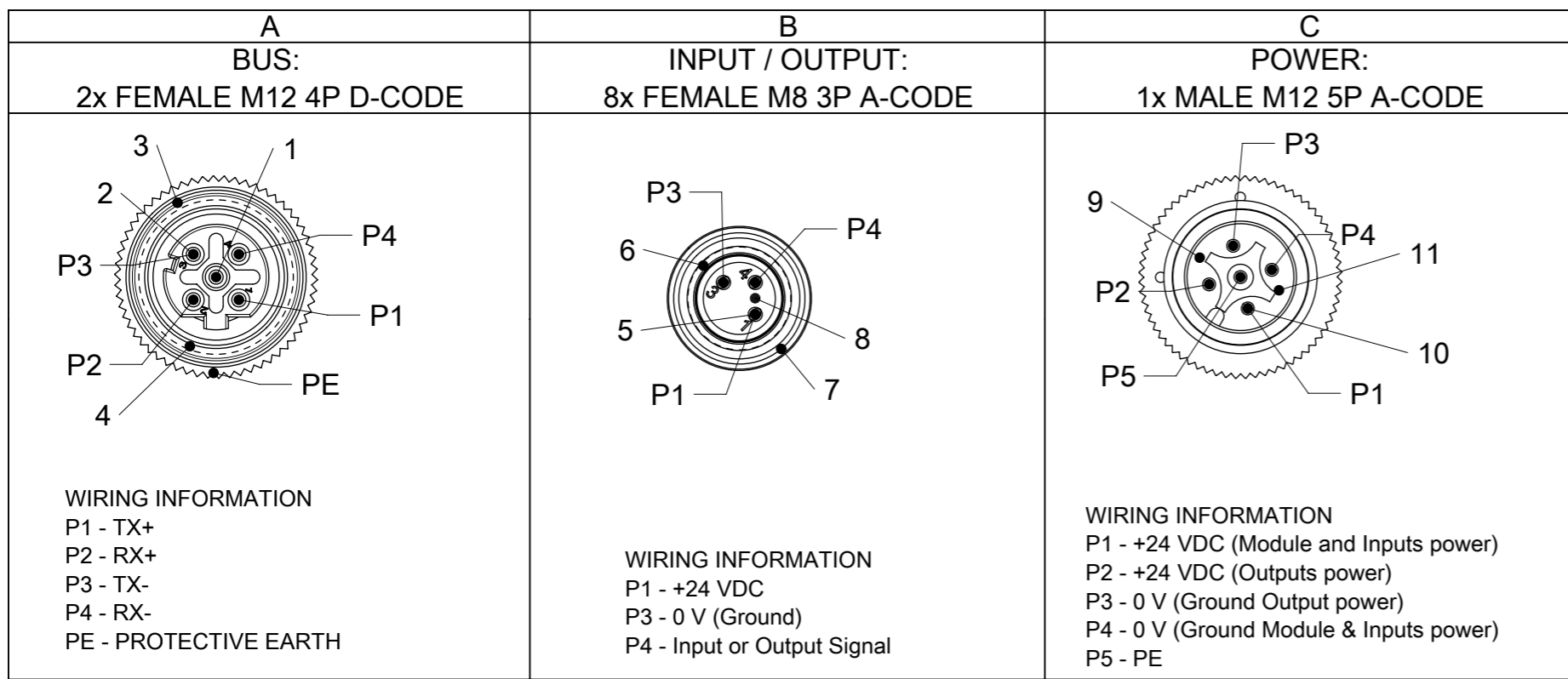


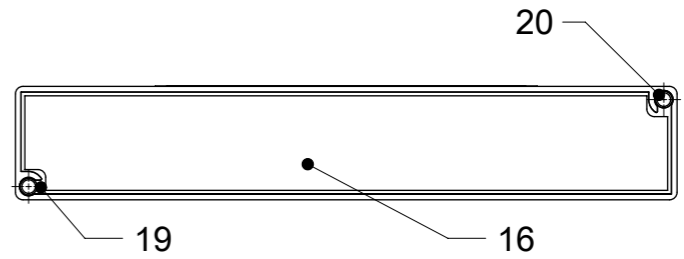
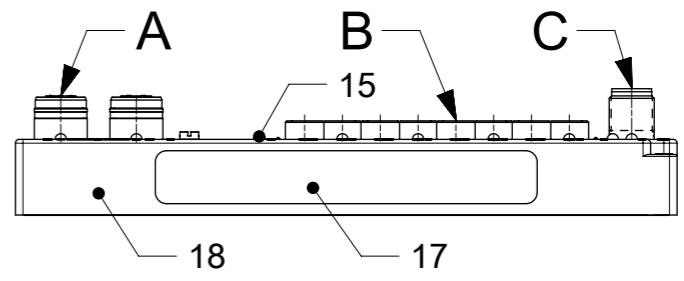
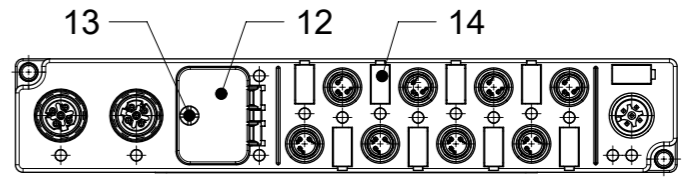
THIS DRAWING CONTAINS INFORMATION THAT IS PROPRIETARY TO MOLEX ELECTRONIC TECHNOLOGIES, LLC AND SHOULD NOT BE USED WITHOUT WRITTEN PERMISSION												
QUALITY SYMBOLS ▽A = 0 ▽E = 0 ▽F = 0 ▼ = 0 ▽C = 0 ⊗ = 0 ■ = 0 ▽ = 0	EC NO: 168509	2017/10/26	GENERAL TOLERANCES (UNLESS SPECIFIED)		DIMENSION UNITS	SCALE						
	DRWN: PDODDAMANEMY	2017/11/27	ANGULAR TOL ± °		mm	1:2						
	CHK'D:		4 PLACES ±	DRWN BY	DATE	ULETTENMEIER 2015/02/11		DBO PN 30 MM 4P 2PT FE DC M8 3P 8PT FE AC M12 5P MA AC				
	APPR: RSILLER		3 PLACES ±	CHK'D BY	DATE							
			2 PLACES ±	APPR BY	DATE	JALEXANDER 2015/05/20		PRODUCT CUSTOMER DRAWING				
		1 PLACE ± 0.3	DRAWING SIZE	THIRD ANGLE PROJECTION	A3		SERIES	MATERIAL NUMBER	CUSTOMER			
		0 PLACES ± 0.5					112095	SEE TABLE 1	GENERAL MARKET			
		DRAFT WHERE APPLICABLE MUST REMAIN WITHIN DIMENSIONS					DOCUMENT NUMBER	DOC TYPE	DOC PART	SHEET NUMBER		
							1120955064	PSD	000	1 OF 3		



WIRING INFORMATION
P1 - TX+
P2 - RX+
P3 - TX-
P4 - RX-
PE - PROTECTIVE EARTH

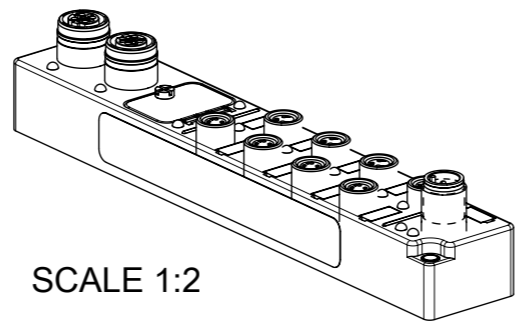
WIRING INFORMATION
P1 - +24 VDC
P3 - 0 V (Ground)
P4 - Input or Output Signal

WIRING INFORMATION
P1 - +24 VDC (Module and Inputs power)
P2 - +24 VDC (Outputs power)
P3 - 0 V (Ground Output power)
P4 - 0 V (Ground Module & Inputs power)
P5 - PE



BILL OF MATERIAL

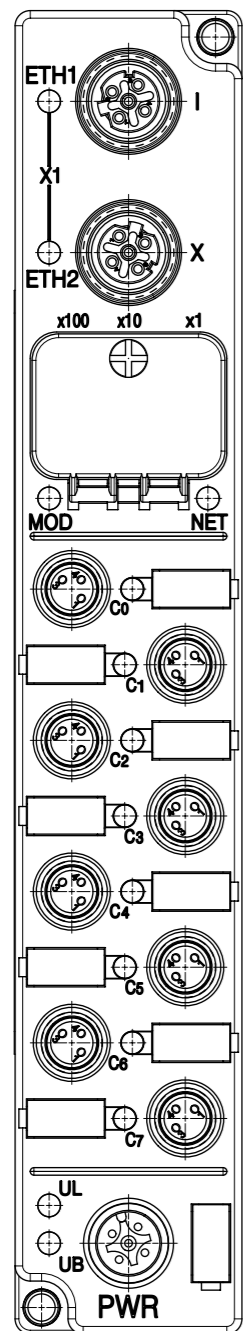
ITEM	DESCRIPTION	MATERIAL	FINISH
1	INSERT	TPU	BLACK
2	CONTACT	COPPER ALLOY	GOLD OVERNICKEL
3	SHELL	BRASS	NICKEL PLATET
4	GASKET	FPM	RED
5	CONTACT	COPPER ALLOY	GOLD OVER NICKEL
6	GASKET	FPM	RED
7	SHELL	BRASS	NICKEL PLATET
8	INSERT	TPU	BLACK
9	INSERT	TPU	BLACK
10	CONTACT	COPPER ALLOY	GOLD OVERNICKEL
11	SHELL	BRASS	NICKEL PLATET
12	WINDOW	PC	TRANSPARENT
13	SCREW	V2A	V2A
14	LABEL	PC	WHITE
15	FIBER OPTIC	PA	TRANSPARENT
16	LABEL	PVC	WHITE
17	LABEL	PVC	YELLOW
18	HOUSING	PBT	BLACK
19	RESIN	EPOXY	TRANSPARENT
20	SLEEV	BRASS	NICKEL



SCALE 1:2

QUALITY SYMBOLS ▽ = 0 ▽ = 0 ▽ = 0 ▼ = 0 ▽ = 0 ⊗ = 0 ■ = 0 ▽ = 0	THIS DRAWING CONTAINS INFORMATION THAT IS PROPRIETARY TO MOLEX ELECTRONIC TECHNOLOGIES, LLC AND SHOULD NOT BE USED WITHOUT WRITTEN PERMISSION		GENERAL TOLERANCES (UNLESS SPECIFIED) ANGULAR TOL ± °		DIMENSION UNITS mm	SCALE 1:2			
	EC NO: 168509 DRWN: PDODDAMANEMY CHK'D: REV APPR: RSILLER	2017/10/26 2017/11/27	4 PLACES ± 3 PLACES ± 2 PLACES ± 1 PLACE ± 0.3 0 PLACES ± 0.5	DRWN BY ULETTENMEIER	DATE 2015/02/11	PRODUCT CUSTOMER DRAWING			
		DRAFT WHERE APPLICABLE MUST REMAIN WITHIN DIMENSIONS		CHK'D BY JALEXANDER	DATE 2015/05/20	SERIES 112095		MATERIAL NUMBER SEE TABLE 1	CUSTOMER GENERAL MARKET
		A4	A3	DRAWING SIZE A3	THIRD ANGLE PROJECTION	DOCUMENT NUMBER 1120955064		DOC TYPE PSD	DOC PART 000

TABLE 1 UNIVERSAL PRINTING						
		PROFINET		EtherNet/IP		
POWER TYPE	INPUT / OUTPUT	ENG.NO.	MOLEX P/N	ENG.NO.	MOLEX P/N	3D MODEL NO.
M12 5 POLE	USER CONFIG.	TBDEP-8YYP-D84-G	1120955067	TBDEI-8YYP-D84-G	1120955071	1120950064 (PDM)



UNIVERSAL PRINTING

QUALITY SYMBOLS ▽ = 0 ▽ = 0 ▽ = 0 ▼ = 0 ▽ = 0 ⊗ = 0 ■ = 0 ▽ = 0	THIS DRAWING CONTAINS INFORMATION THAT IS PROPRIETARY TO MOLEX ELECTRONIC TECHNOLOGIES, LLC AND SHOULD NOT BE USED WITHOUT WRITTEN PERMISSION											
	EC NO: 168509 DRWN: PDODDAMANEMY CHK'D: APPR: RSILLER	2017/10/26 2017/11/27	GENERAL TOLERANCES (UNLESS SPECIFIED)		DIMENSION UNITS	SCALE						
			ANGULAR TOL ± °		mm	1:1						
			4 PLACES ±	DRWN BY		DATE		DBO PN 30 MM 4P 2PT FE DC M8 3P 8PT FE AC M12 5P MA AC				
			3 PLACES ±	ULETTENMEIER		2015/02/11						
			2 PLACES ±	CHK'D BY		DATE						
	1 PLACE ± 0.3	APPR BY		DATE		PRODUCT CUSTOMER DRAWING						
	0 PLACES ± 0.5	JALEXANDER		2015/05/20		SERIES	MATERIAL NUMBER	CUSTOMER				
	DRAFT WHERE APPLICABLE MUST REMAIN WITHIN DIMENSIONS		DRAWING SIZE	THIRD ANGLE PROJECTION			112095	SEE TABLE 1	GENERAL MARKET			
			A3				DOCUMENT NUMBER	DOC TYPE	DOC PART	SHEET NUMBER		
						1120955064	PSD	000	3 OF 3			