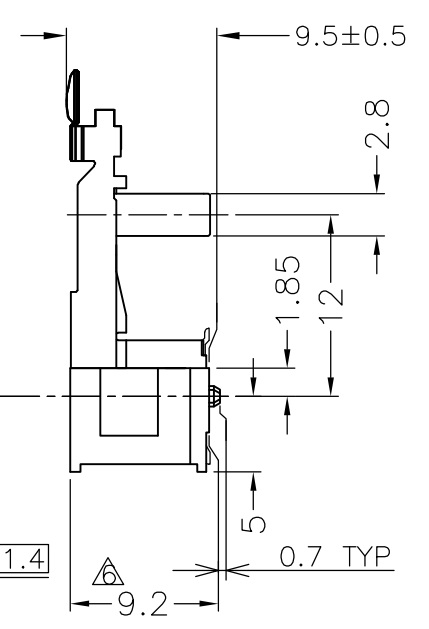
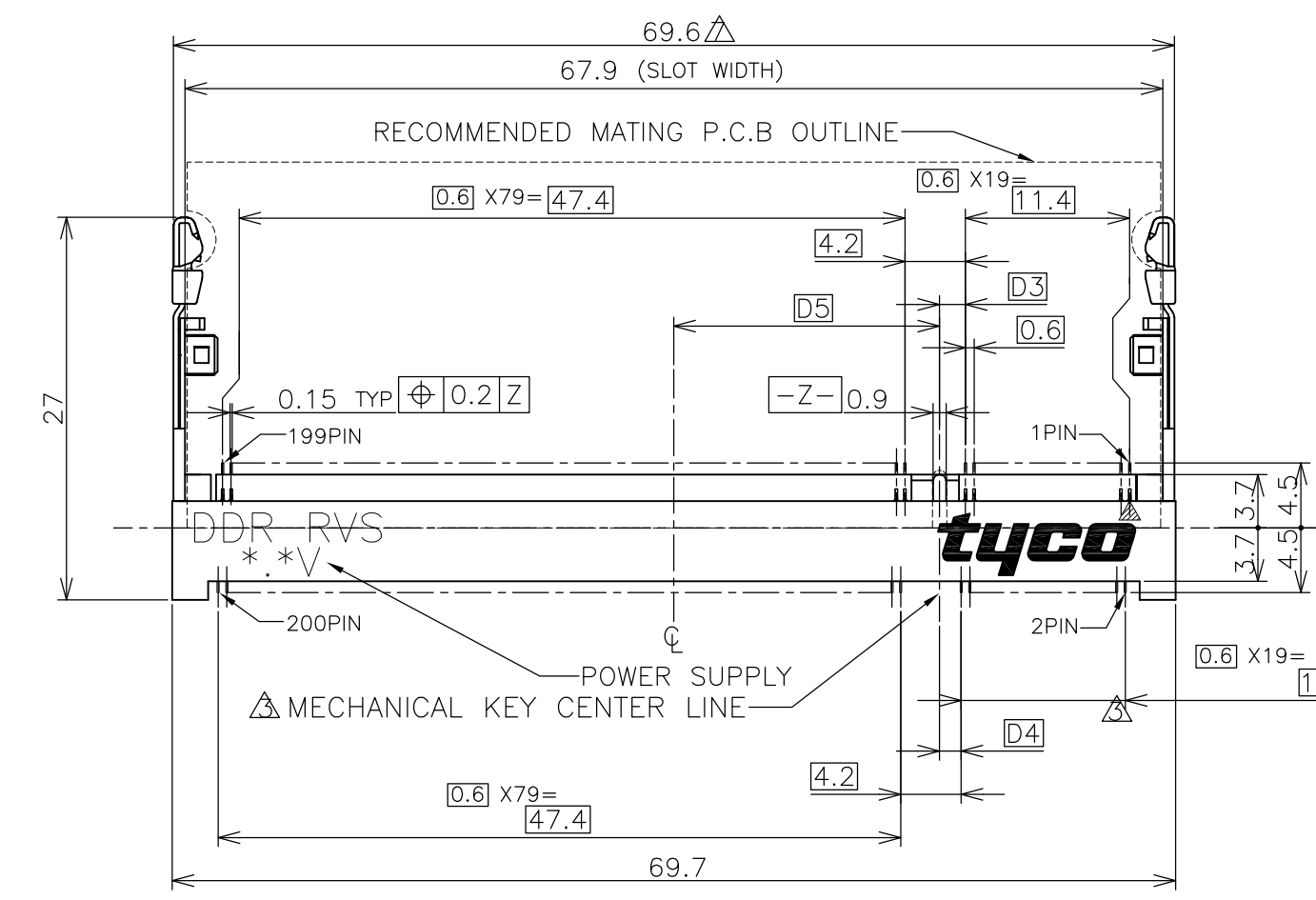
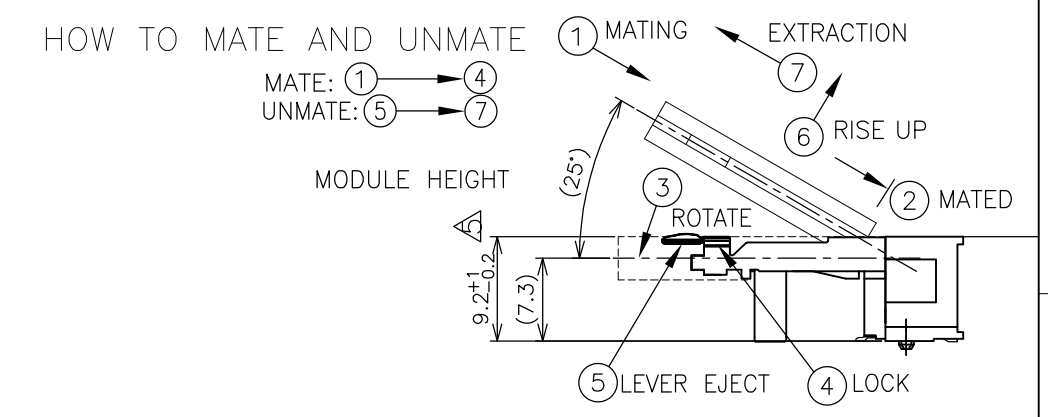
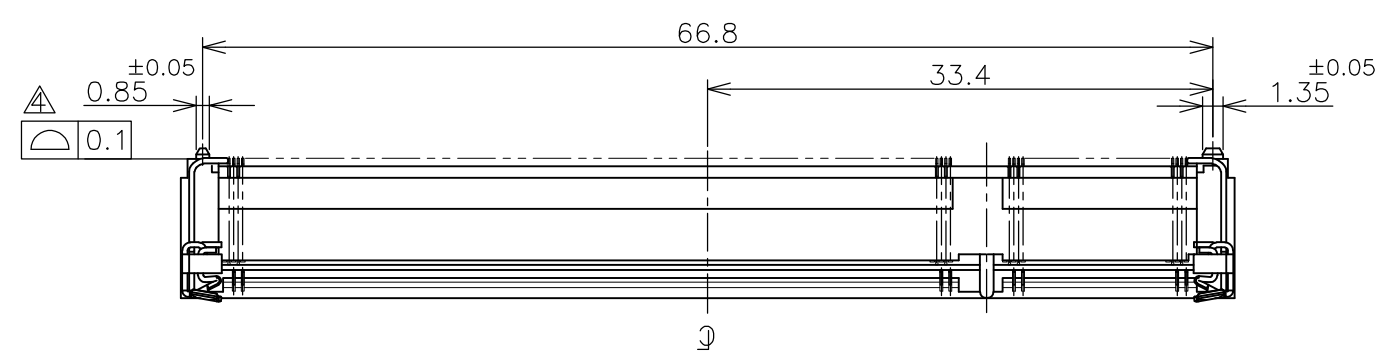


THIS DRAWING IS UNPUBLISHED. RELEASED FOR PUBLICATION MAR , 2007.
 © COPYRIGHT 2007 BY TYCO ELECTRONICS CORPORATION. ALL RIGHTS RESERVED.

| LOC | DIST | REVISIONS | | | |
|-----|------|-------------|---------------------------|---------|----------|
| P | LTR | DESCRIPTION | DATE | DWN | APVD |
| J | | B | REVISED PER ECR-07-016720 | 16JUL07 | SA.Y S.Y |



- (APPLIED TO SHEET 1-2)
- MATERIAL ; HOUSING: HIGH TEMPERATURE THERMO PLASTIC UL94V-0
CONTACT: COPPER ARROY
LOCK LEVER: STAINLESS STEEL
 - FINISH ; CONTACT AREA: GOLD PLATING ON ALL OVER NICKEL.
SOLDERING AREA: GOLD FLASH PLT.
LOCK LEVER: TIN PLATING.
- MECHANICAL KEY POSITION OF CONNECTOR SEE TABLE.
 - COPLANARITY : 0.1 MAX.
 - THE FLOATING VALUE BY SOLDERING IS NOT INCLUDED.
 - NOT MATING CONDITION.
 - IN CASE OF MODULE BOARD LOCK AND EJECT, LATCH MAXIMUM WIDTH: 75mm.
 - TOLERANCES NON-CUMULATIVE.
 - CARD GUIDE AND STRUT COMPONENT KEEP-OUT ZONE.
 - INSIDE MUST BE RESIST COAT EXCEPT SOLDER PATTERN.

GENERAL TOLERANCE
 10 ≥ : ±0.2
 30 ≥ > 10: ±0.3
 100 ≥ > 30: ±0.5
 ANGLES: ±3'

THIS DRAWING IS A CONTROLLED DOCUMENT.

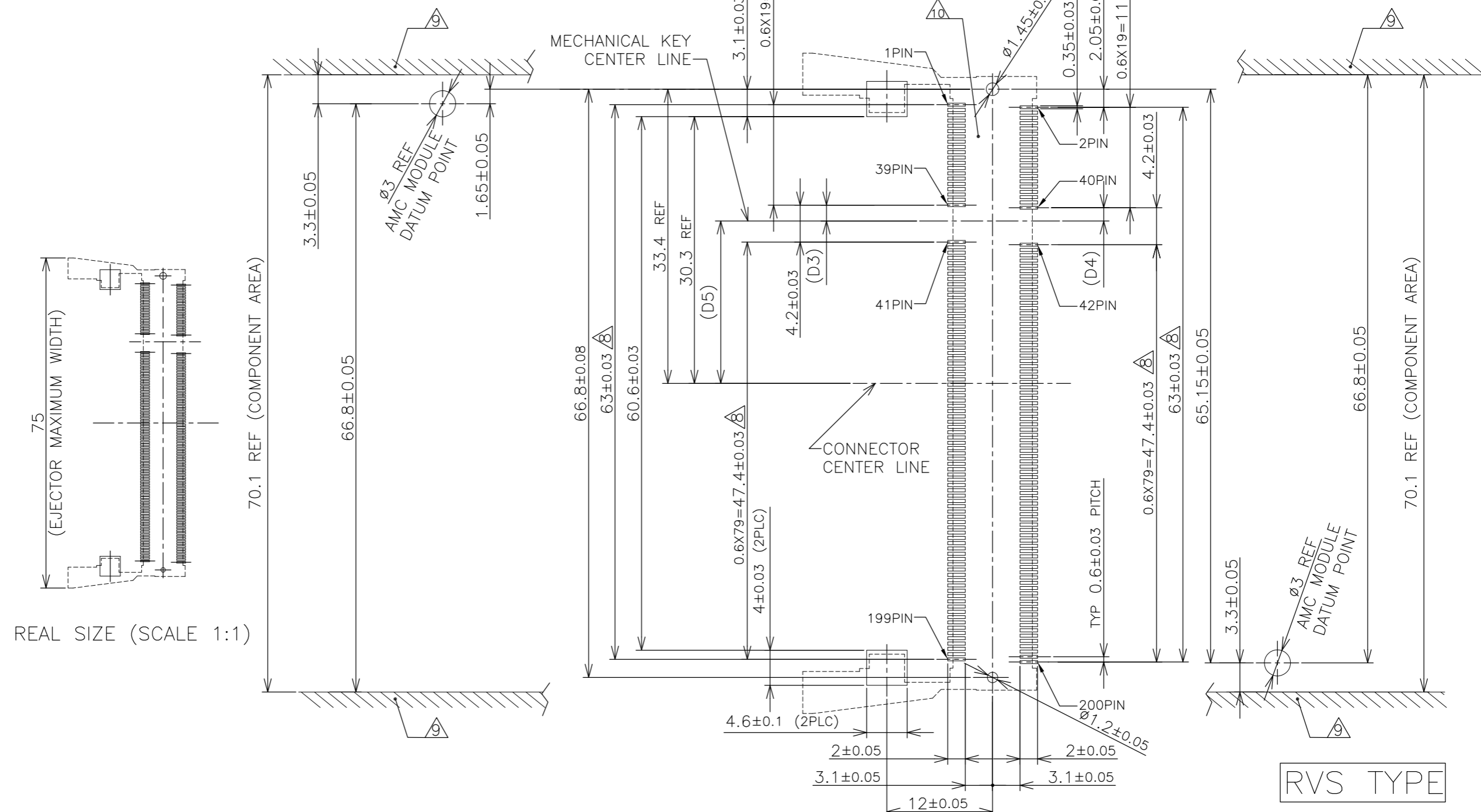
| | |
|-------------------|--|
| DIMENSIONS: MM | TOLERANCES UNLESS OTHERWISE SPECIFIED: |
| | 0 PLC ± - |
| | 1 PLC ± - |
| | 2 PLC ± - |
| | 3 PLC ± - |
| | 4 PLC ± - |
| | ANGLES ± - |
| MATERIAL | FINISH ± - |

| | | | | | |
|------------------------------|--|-----------|-----------------|---------------|-----------|
| 1.8V (DDR2) | 17.55 | 2.4 | 2.7 | 200 | 1981287-4 |
| POWER SUPPLY (TYPE) | D5 | D4 | D3 | POS | PART NO. |
| DWN LEO ZHOU 07MAR07 | Tyco Electronics Corporation Kawasaki, Japan | | | | |
| CHK T.FUMIKURA 07MAR07 | NAME | | | | |
| APVD K.IKEGAMI 07MAR07 | DDR SODIMM SOCKET 0.6mm PITCH 200POS 9.2H RVS TYPE TO FIT AMC APPLICATIONS | | | | |
| PRODUCT SPEC 108-5701 | SIZE | CAGE CODE | DRAWING NO | RESTRICTED TO | |
| APPLICATION SPEC | A3 | | C-1981287 | | |
| WEIGHT 8.3g | CUSTOMER DRAWING | | | | |
| SCALE 2:1 | | | SHEET 1 OF 4 | | REV B |

THIS DRAWING IS UNPUBLISHED. RELEASED FOR PUBLICATION MAR , 2007.
 © COPYRIGHT 2007 BY TYCO ELECTRONICS CORPORATION. ALL RIGHTS RESERVED.

| LOC | DIST | P | LTR | DESCRIPTION | DATE | DWN | APVD |
|-----|------|---|-----|-------------|------|-----|------|
| J | | | | SEE SHEET 1 | | | |

REFERENCE P.C. BOARD PATTERN LAYOUT (CONNECTOR MOUNTING SIDE)



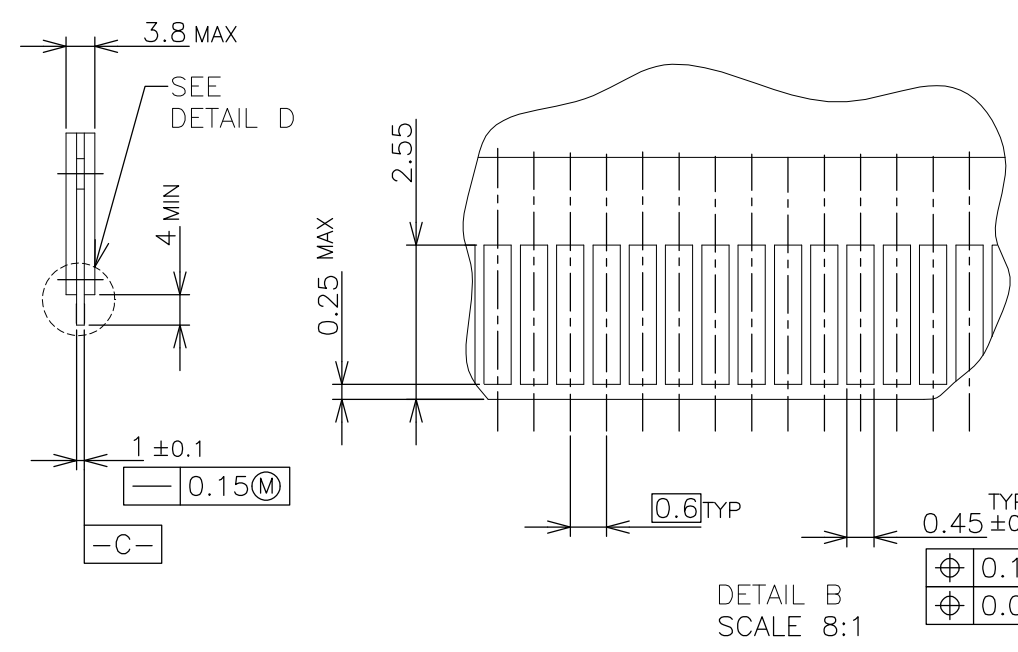
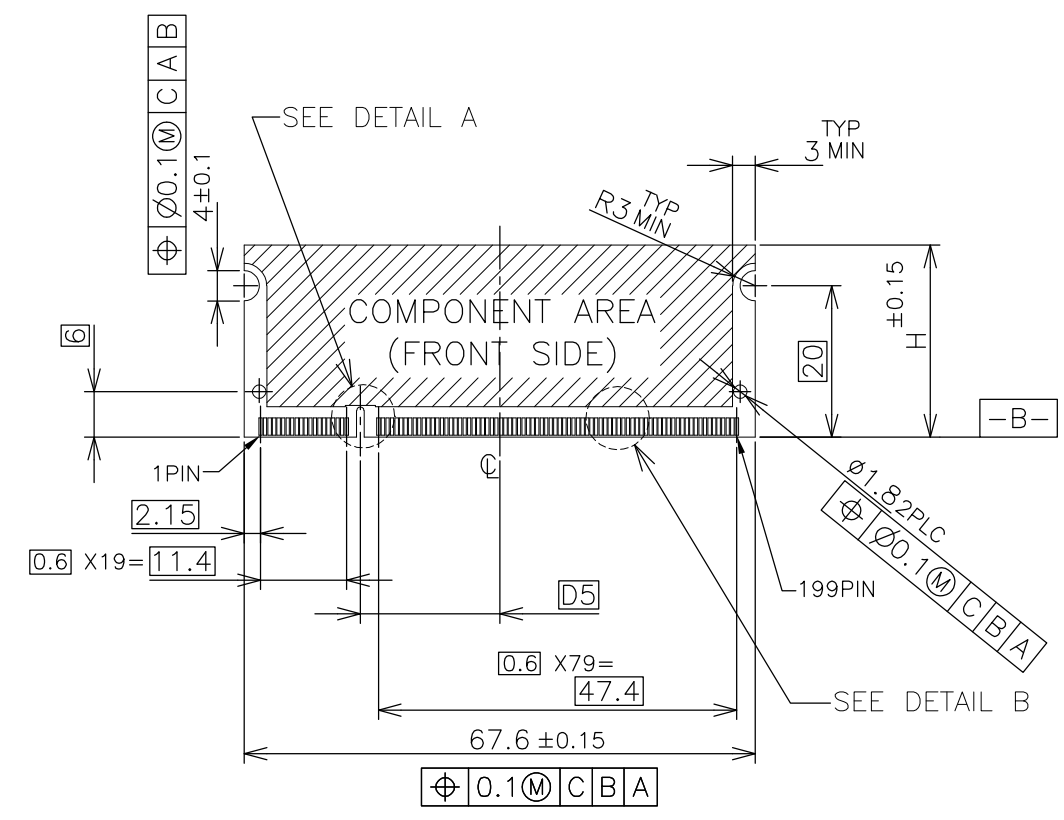
RVS TYPE

| | | | |
|--------------|-------|-----|-----|
| 1.8V | 17.55 | 2.4 | 2.7 |
| POWER SUPPLY | D5 | D4 | D3 |

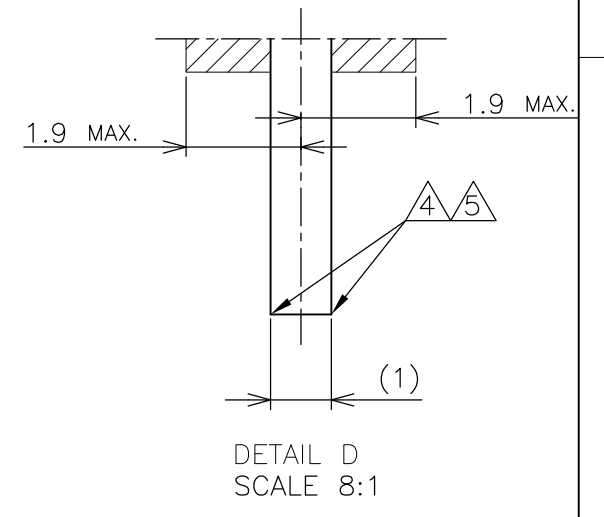
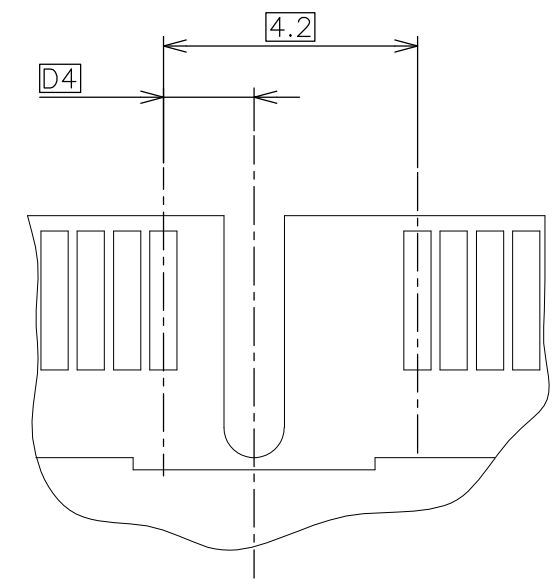
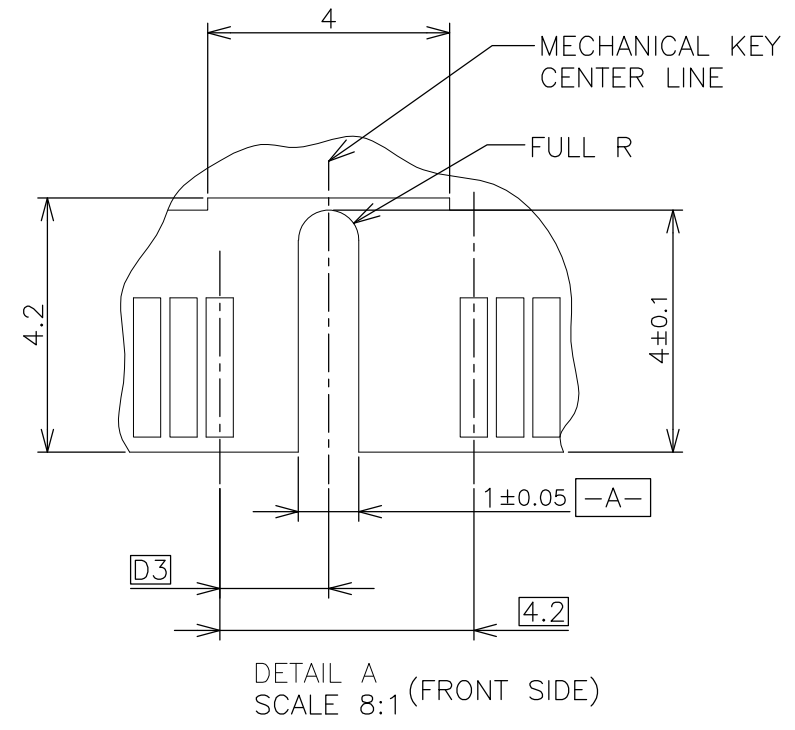
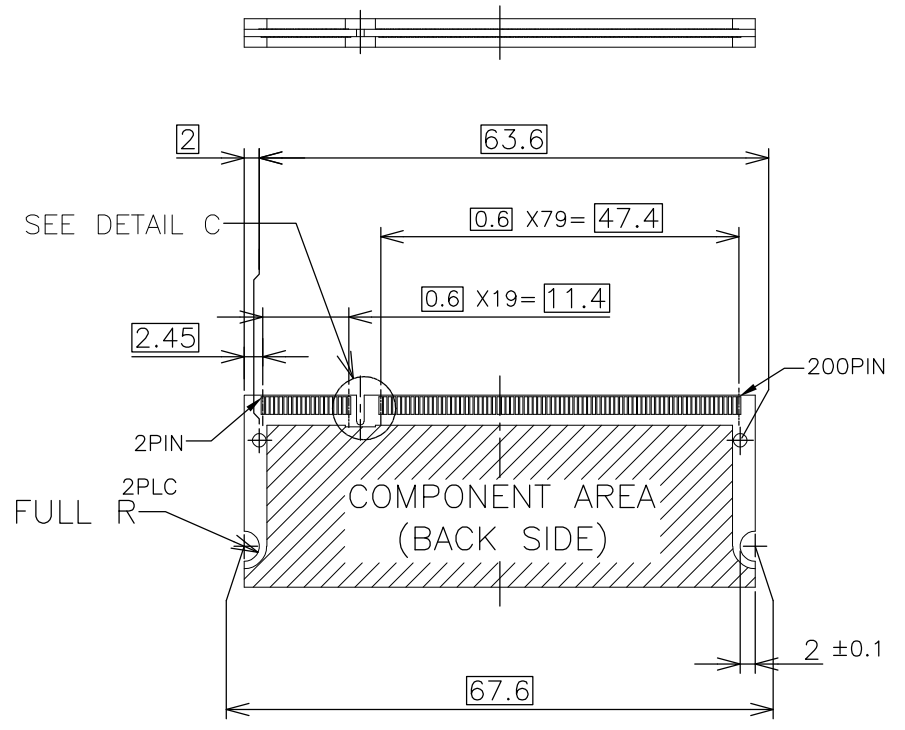
| | | | | | | |
|--|--|------------------|--------------------------------------|------------|------------------------------|-----|
| THIS DRAWING IS A CONTROLLED DOCUMENT. | | DWN | Tyco Electronics | | Tyco Electronics Corporation | |
| DIMENSIONS: MM | | CHK | Kawasaki, Japan | | NAME | |
| TOLERANCES UNLESS OTHERWISE SPECIFIED: | | APVD | DDR SODIMM SOCKET 0.6mm PITCH 200POS | | | |
| 0 PLC ± | | PRODUCT SPEC | 9.2H RVS TYPE | | | |
| 1 PLC ± | | APPLICATION SPEC | TO FIT AMC APPLICATIONS | | | |
| 2 PLC ± | | SIZE | CAGE CODE | DRAWING NO | RESTRICTED TO | |
| 3 PLC ± | | A3 | | G-1981287 | | |
| 4 PLC ± | | CUSTOMER DRAWING | | SCALE | SHEET | REV |
| ANGLES ± | | | | 2:1 | 2 OF 4 | B |
| FINISH | | | | | | |

THIS DRAWING IS UNPUBLISHED. RELEASED FOR PUBLICATION MAR ,2007.
 © COPYRIGHT 2007 BY TYCO ELECTRONICS CORPORATION. ALL RIGHTS RESERVED.

| LOC | DIST | REVISIONS | | |
|-----|------|-------------|-----|-------------|
| J | / | P | LTR | DESCRIPTION |
| | | | | DATE |
| | | | | DWN |
| | | | | APVD |
| | | SEE SHEET 1 | | |



- (APPLIED TO SHEET 3)
- 1 TOLERANCES ON ALL DIMENSIONS ±0.15 UNLESS OTHERWISE SPECIFIED.
 - 2 P.C. BOARD THICKNESS APPLIES ACROSS TABS AND INCLUDES PLATING AND/OR METALIZATION.
 - 3 FINISH OF PAD : GOLD PLATING 0.00076 MIN. OVER Ni PLATING 0.002MIN.
- △ NO BURR.
 △ CHAMFER 0.25 MAX x 45° IF EXIST.



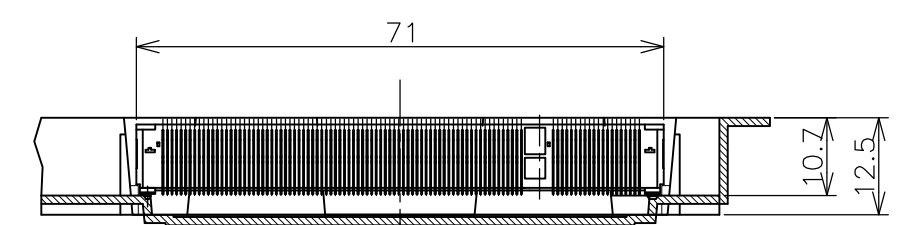
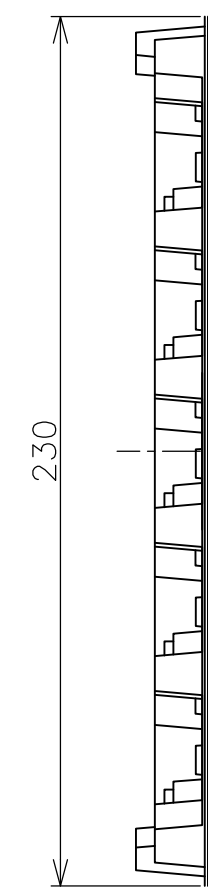
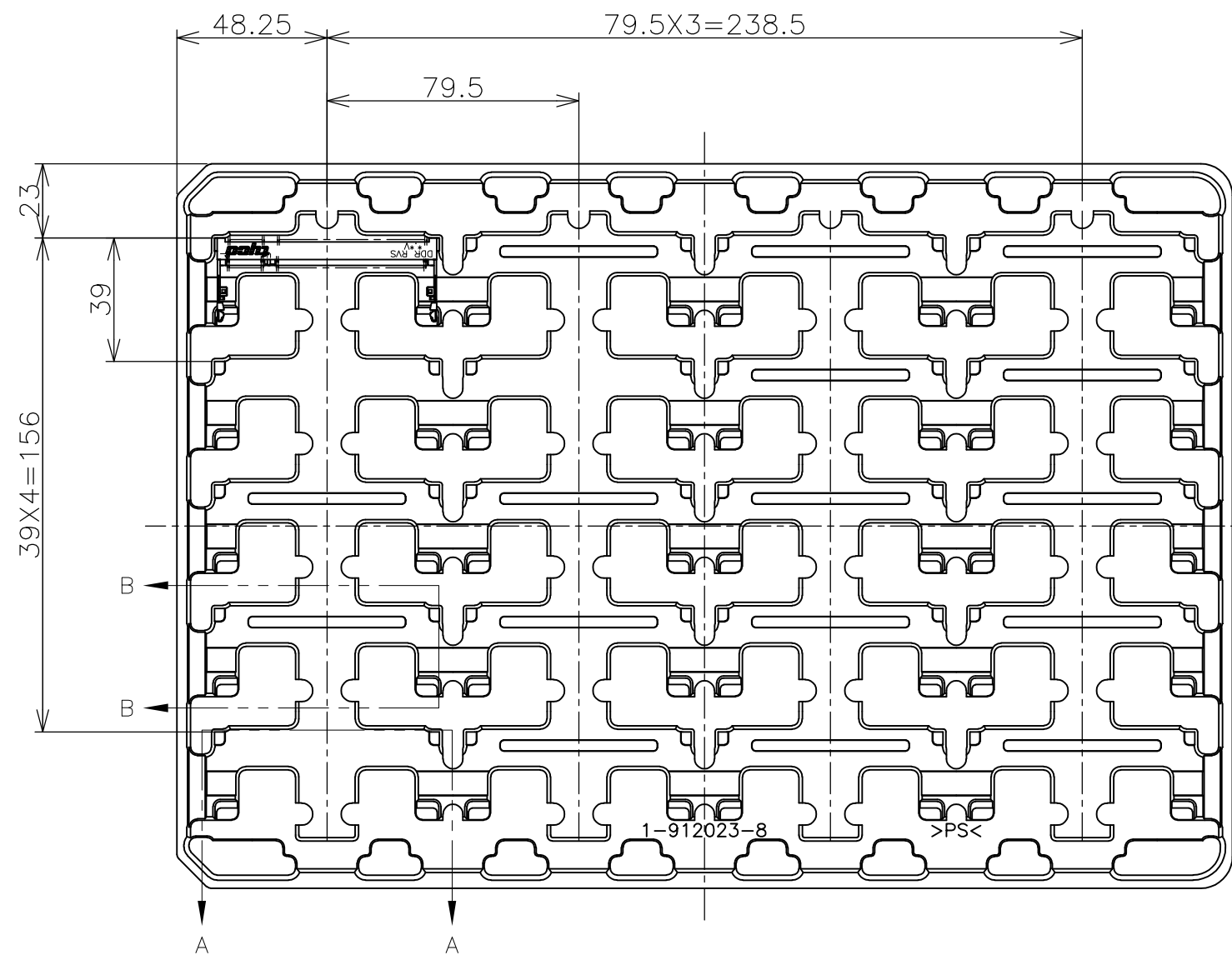
RECOMMENDED MATING P.C.B CONFIGURATION

| | | | | |
|-------|--------------|-------|-----|-----|
| 31.75 | 1.8V | 17.55 | 2.4 | 2.7 |
| 25.4 | POWER SUPPLY | D5 | D4 | D3 |
| H | | | | |

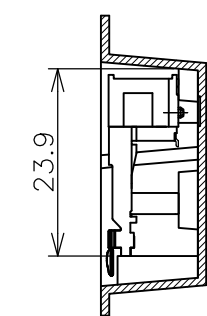
| | | | | | |
|--|--|----------------------|--|--|--|
| THIS DRAWING IS A CONTROLLED DOCUMENT. | | DWN | | Tyco Electronics Corporation Kawasaki, Japan | |
| DIMENSIONS: MM | | CHK | | NAME | |
| TOLERANCES UNLESS OTHERWISE SPECIFIED: | | APVD | | DDR SODIMM SOCKET 0.6mm PITCH 200POS 9.2H RVS TYPE TO FIT AMC APPLICATIONS | |
| 0 PLC ± | | PRODUCT SPEC | | SIZE | |
| 1 PLC ± | | APPLICATION SPEC | | CAGE CODE | |
| 2 PLC ± | | WEIGHT | | DRAWING NO | |
| 3 PLC ± | | CUSTOMER DRAWING | | RESTRICTED TO | |
| 4 PLC ± | | SCALE 1:1 | | SHEET 3 OF 4 | |
| ANGLES ± | | SHEET 3 OF 4 | | REV B | |
| FINISH ± | | DRAWING NO C-1981287 | | | |

THIS DRAWING IS UNPUBLISHED. RELEASED FOR PUBLICATION MAR , 2007.
 © COPYRIGHT 2007 BY TYCO ELECTRONICS CORPORATION. ALL RIGHTS RESERVED.

| LOC | DIST | REVISIONS | | | |
|-----|------|-------------|------|-----|------|
| P | LTR | DESCRIPTION | DATE | DWN | APVD |
| J | | SEE SHEET 1 | - | - | - |

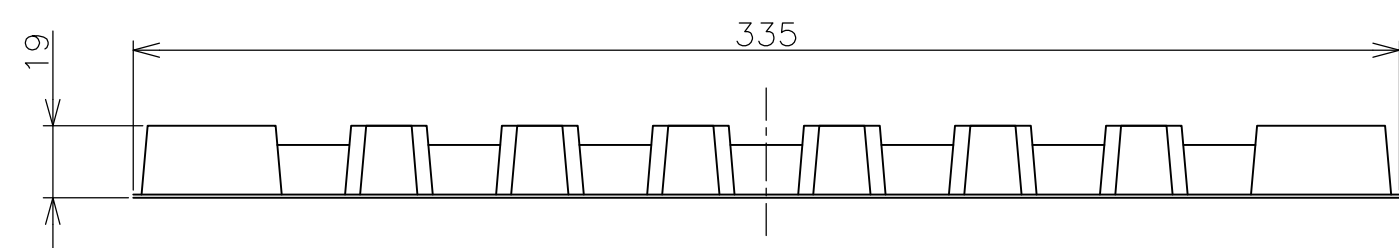


A+A
SCALE 1:1
(180DEG. ROTATE)



B-B
SCALE 1:1

- (APPLIED TO SHEET 4)
1. THE DIRECTION OF EACH CONNECTOR ON A TRAY IS REFERRED TO THIS DRAWING.
 2. GENERAL TOLERANCE: ±0.5



| | |
|-----------|-----------|
| 20EA/TRAY | 1981287-4 |
| QTY | P/N |

| | | | | | |
|--|--|------------------|---|---------------|------------|
| THIS DRAWING IS A CONTROLLED DOCUMENT. | | DWN | Tyco Electronics Corporation Kawasaki, Japan | | |
| DIMENSIONS: MM | | CHK | | | |
| TOLERANCES UNLESS OTHERWISE SPECIFIED: | | APVD | NAME | | |
| 0 PLC ± 0.5 | | PRODUCT SPEC | DDR SODIMM SOCKET 0.6mm PITCH 200POS | | |
| 1 PLC ± 0.5 | | APPLICATION SPEC | 9.2H RVS TYPE | | |
| 2 PLC ± 0.5 | | WEIGHT | SIZE | CAGE CODE | DRAWING NO |
| 3 PLC ± 0.5 | | | A3 | | C-1981287 |
| 4 PLC ± 0.5 | | CUSTOMER DRAWING | | RESTRICTED TO | |
| ANGLES ± 3° | | SCALE 1:2 | | SHEET 4 OF 4 | REV B |
| FINISH | | | | | |