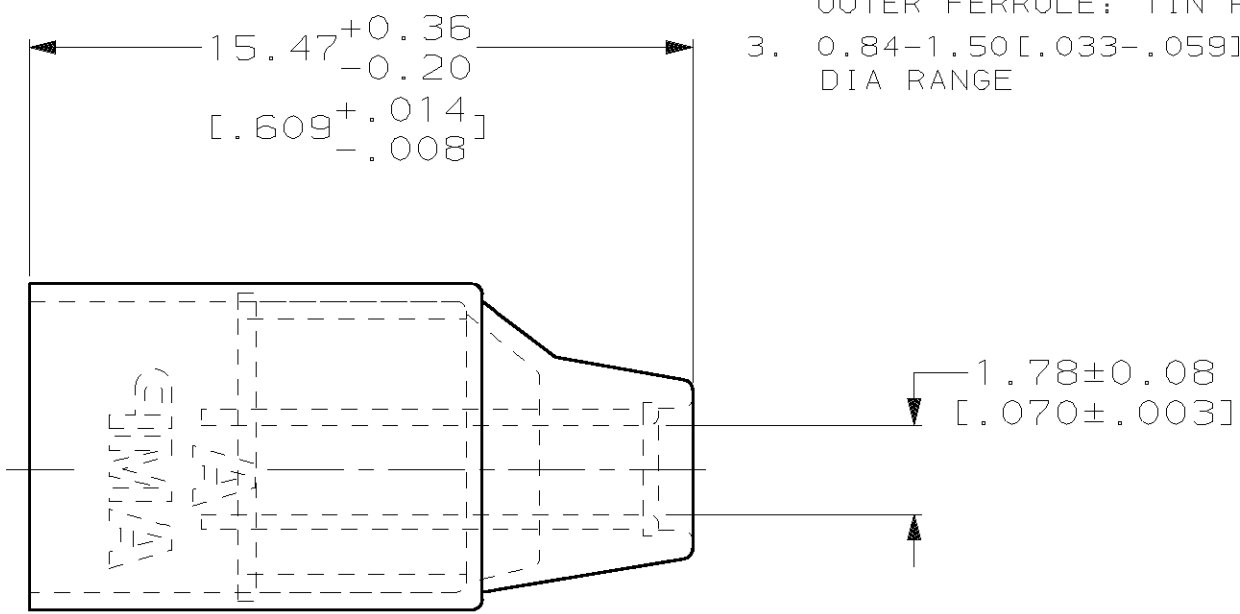
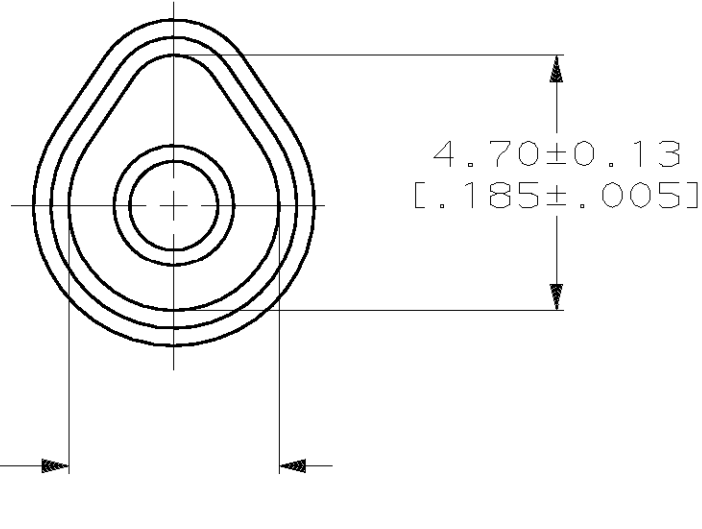


THIS DRAWING IS UNPUBLISHED. RELEASED FOR PUBLICATION, 19 .
 © COPYRIGHT 19 BY AMP INCORPORATED. ALL INTERNATIONAL RIGHTS RESERVED.

LOC	DIST	P	F	REVISIONS				
AJ	16			ZONE	LTR	DESCRIPTION	DATE	APPD
					M	REV PER 0U20-0163-99	08NOV99	M0



- 1 MATERIALS:
 INNER FERRULE: BRASS PER MIL-C-50
 OUTER FERRULE: COPPER PER QQ-C-576
 MOLDING: NYLON (COLOR: VIOLET)
- 2 FINISH:
 INNER FERRULE: TIN PL PER MIL-T-10727
 OUTER FERRULE: TIN PL PER MIL-T-10727
- 3. 0.84-1.50 [.033-.059] PRIMARY INSULATION DIA RANGE

THIS DRAWING IS A CONTROLLED DOCUMENT FOR AMP INCORPORATED. IT IS SUBJECT TO CHANGE AND THE CONTROLLING ENGINEERING ORGANIZATION SHOULD BE CONTACTED FOR THE LATEST REVISION.

DO NOT SCALE PRINT. UNLESS SPECIFIED DIMENSIONS IN mm [INCHES] TOLERANCES ON: 2 PLC DEC ± .20 [.008] 3 PLC DEC ± - ANGLES ± -		DR 01/13/93 J.DAVIS	PART NO	
MATERIAL	1	CHK 02/05/93 G.MICHAEL	AMP Incorporated Harrisburg, PA 17105-3608	
FINISH	2	APPD 02/05/93 G.MICHAEL	NAME CONN, COAX, R.F., TERMASHIELD, FERRULE	
		APPD 02/05/93 J.DAVIS	SIZE B	CAGE CODE 00779
		PRODUCT SPEC -	DRAWING NO C-329331	
		APPLICATION SPEC -	SCALE NTS	SHEET 1 OF 1
		WEIGHT .024 OZ		