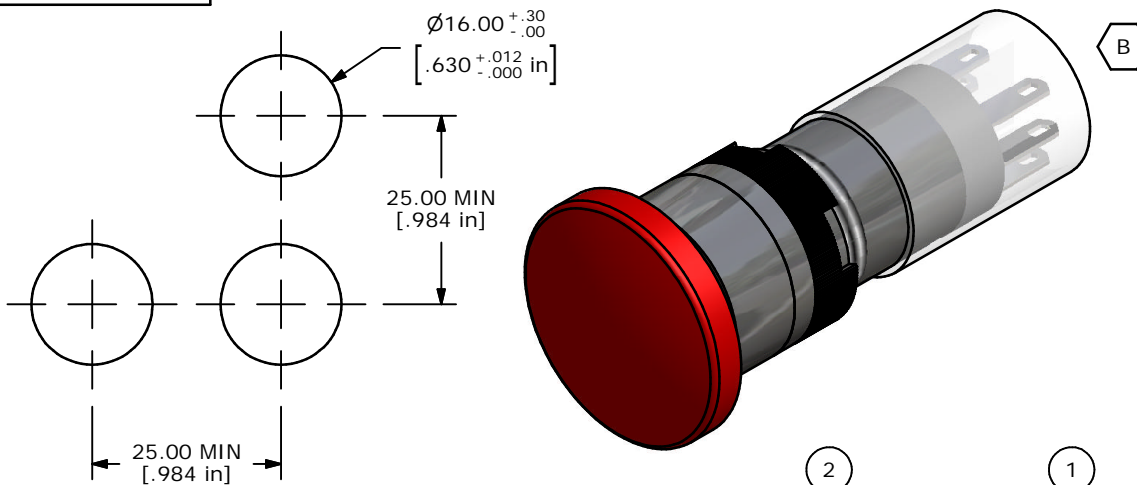


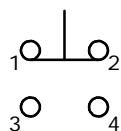
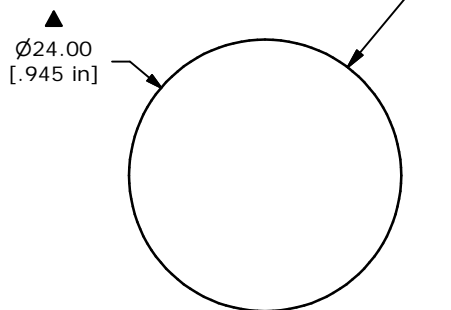
PARTS LIST

ITEM	QTY	PART NUMBER	DESCRIPTION
1	1	F040015	P16EER12
2	1	F051202	50-012-02 RED MUSHROOM HEAD
3	1	F051601	P16 PLASTIC TERMINAL PROTECTOR

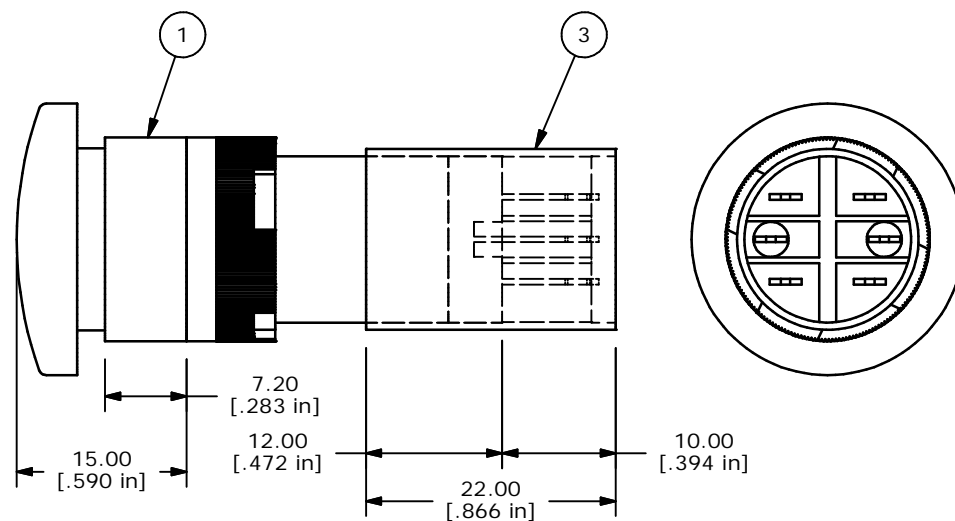


B

PANEL MOUNTING



SPDT CONTACT CONFIGURATION



NOTE:

1. ALL DIMENSIONS IN MM [INCH]
2. GENERAL TOLERANCE: X.X=±0.4
X.XX=±0.25
3. TERMINAL NUMBERS FOR REF ONLY
4. MECHANICAL LIFE: 2,000,000 OPERATIONS
5. INSULATION RESISTANCE: 1,000 MILLI-OHM MIN.
6. OPERATING TEMP.: -25°C to 70°C
- ▲ 7. LAMP VOLTAGE: NO LAMP
8. ▲ DENOTES CRITICAL PARAMETER.

E-SWITCH®

B	14456	CORRECT PART # AND DESC. FOR ITEM 1	11/4/04	AR
A	14425	RELEASED FOR PRODUCTION	10/25/04	AR
REV	PCR NO	DESCRIPTION	DATE	BY

TITLE P16EER10RED

THE INFORMATION CONTAINED IN THIS DOCUMENT IS PROPRIETARY TO E-SWITCH AND IS NOT TO BE COPIED OR TRANSFERRED

SCALE	DATE	DR	DWG	REV
2:1	10/25/04	AR	XF0607P	B