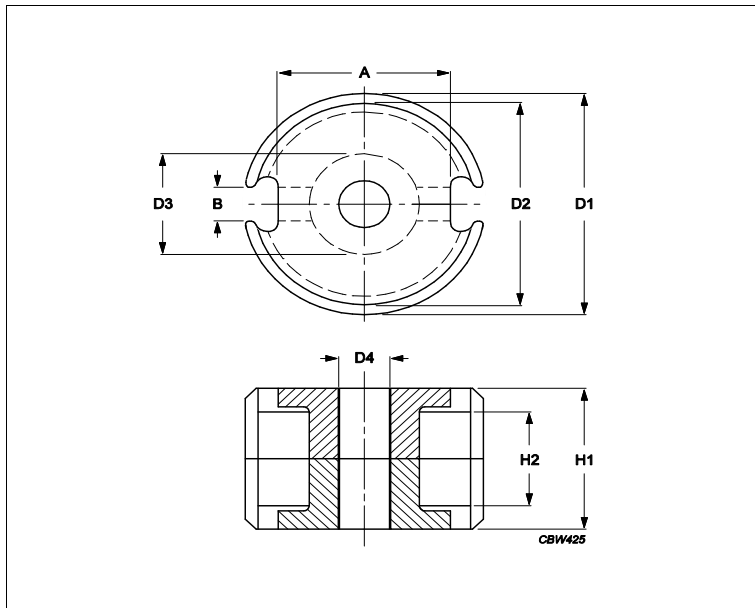


## Core **P11/7**



| Effective parameters |                  |       |                  |
|----------------------|------------------|-------|------------------|
|                      | Parameter        | Value | Unit             |
| $\Sigma(I/A)$        | core factor (C1) | 0.956 | mm <sup>-1</sup> |
| <b>Ve</b>            | effective volume | 251   | mm <sup>3</sup>  |
| <b>Le</b>            | effective length | 15.5  | mm               |
| <b>Ae</b>            | effective area   | 16.2  | mm <sup>2</sup>  |
| <b>Amin</b>          | minimum area     | 13.2  | mm <sup>2</sup>  |
| <b>m</b>             | P11/7            | ≈ 1.8 | g/set            |

Dimensions for product: P11/7

|           | Nom   | Tol + | Tol - | Max   | Min   | Unit |
|-----------|-------|-------|-------|-------|-------|------|
| <b>A</b>  | 6.80  | 0.25  | 0.25  | 7.05  | 6.55  | mm   |
| <b>B</b>  | 2.20  | 0.30  | 0.30  | 2.50  | 1.90  | mm   |
| <b>D1</b> | 11.10 | 0.20  | 0.20  | 11.30 | 10.90 | mm   |
| <b>D2</b> | 9.00  | 0.40  | 0.00  | 9.40  | 9.00  | mm   |
| <b>D3</b> | 4.70  | 0.00  | 0.20  | 4.70  | 4.50  | mm   |
| <b>D4</b> | 2.10  | 0.10  | 0.10  | 2.20  | 2.00  | mm   |
| <b>H1</b> | 6.50  | 0.10  | 0.20  | 6.60  | 6.30  | mm   |
| <b>H2</b> | 4.40  | 0.30  | 0.00  | 4.70  | 4.40  | mm   |

Inductance factor

| Material | Value | Tol + | Tol - | Unit                  |
|----------|-------|-------|-------|-----------------------|
| 3C91     | 2050  | 25%   | 25%   | nH/turns <sup>2</sup> |
| 3D3      | 800   | 25%   | 25%   | nH/turns <sup>2</sup> |
| 3F36     | 1200  | 25%   | 25%   | nH/turns <sup>2</sup> |
| 3H3      | 1650  | 25%   | 25%   | nH/turns <sup>2</sup> |

Power loss: 3C91

| Measuring conditions |        |       | Max   | Unit  |
|----------------------|--------|-------|-------|-------|
| 100 kHz              | 200 mT | 60 °C | 0.130 | W/set |

Power loss: 3F36

| Measuring conditions |        |        | Max   | Unit  |
|----------------------|--------|--------|-------|-------|
| 500 kHz              | 50 mT  | 100 °C | 0.038 | W/set |
| 500 kHz              | 100 mT | 100 °C | 0.290 | W/set |

## Core **P11/7**

| Bsat                 |         |        |          |     |      |
|----------------------|---------|--------|----------|-----|------|
| Measuring conditions |         |        | Material | Min | Unit |
| 25 kHz               | 250 A/m | 100 °C | 3C91     | 320 | mT   |
| 25 kHz               | 250 A/m | 100 °C | 3F36     | 340 | mT   |

| Accessories    |                                      |               |
|----------------|--------------------------------------|---------------|
| Ordering name  | Description                          | Ordering code |
| CLM/TP-P11/7-C | Clamp, self locking, with ground pin | 432202126141  |
| CON-P11/7      | Container                            | 432202130515  |
| CP-P11/7-1S    | Coil former, termoplastic            | 432202102351  |
| CP-P11/7-1S-A  | Coil former, termoplastic            | 433500026011  |
| CP-P11/7-1S-C  | Coil former, termoplastic            | 432202106741  |
| CP-P11/7-2S-A  | Coil former, termoplastic            | 433500026021  |
| SPR-P11/7      | Spring                               | 432202130621  |
| TGP-P11/7-C    | Tag plante                           | 432202104251  |