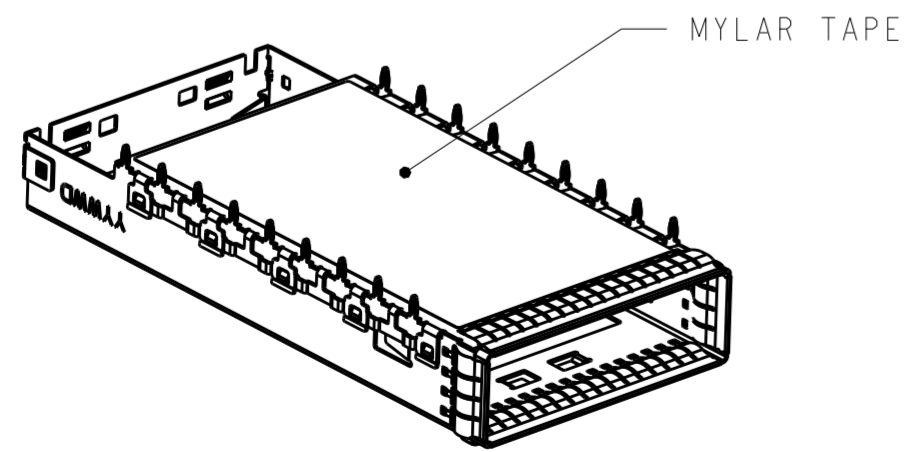
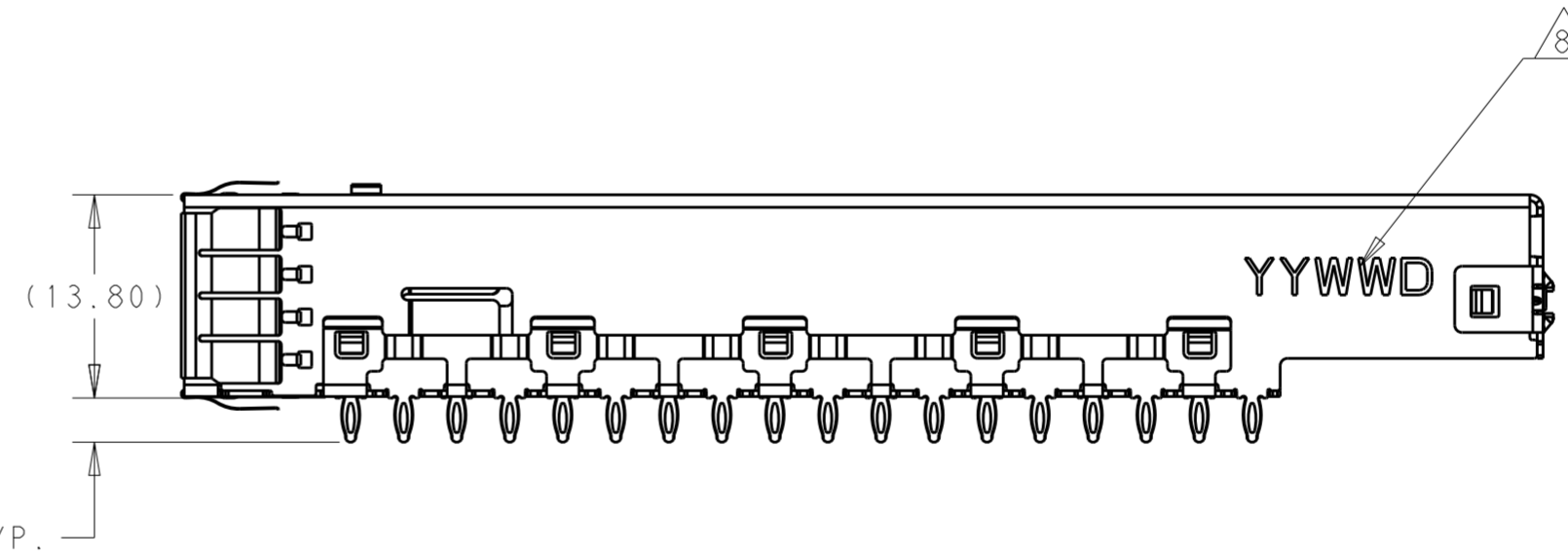
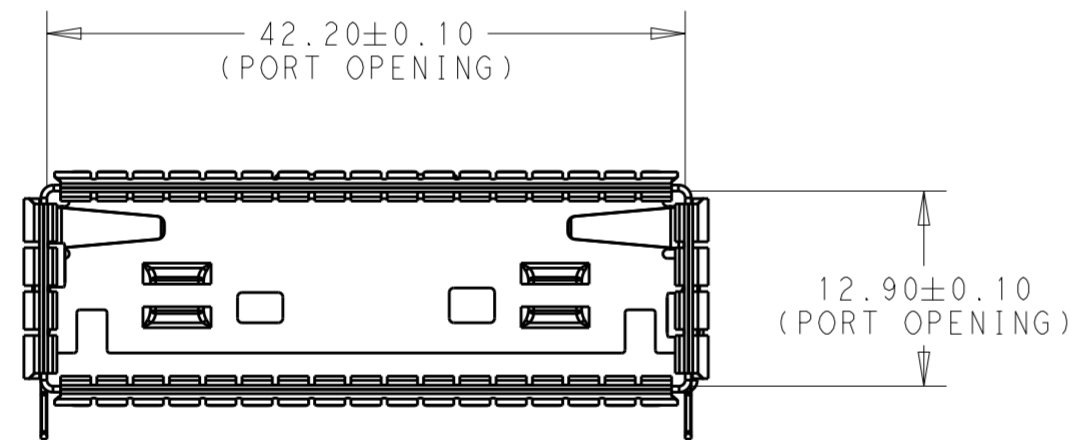
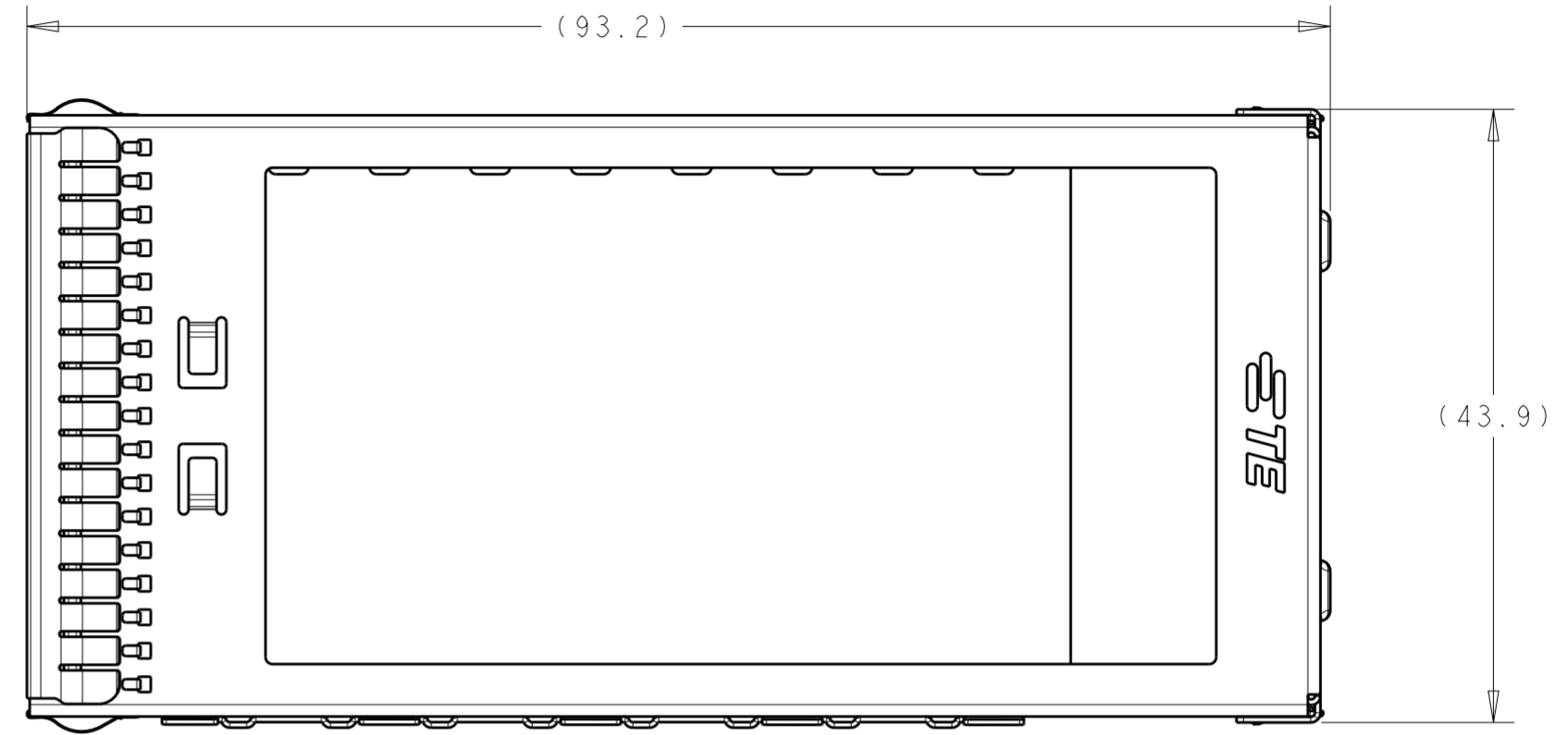


THIS DRAWING IS UNPUBLISHED. RELEASED FOR PUBLICATION 20
 © COPYRIGHT 20 BY - ALL RIGHTS RESERVED.

REVISIONS				
P	LTR	DESCRIPTION	DATE	APVD
1		PRELIMINARY DRAWING	30MAY2016	AD SH
2		ADD DASH NUMBER	18AUG2016	AD SH
3		ADD PART WIHT MYLAR	14SEP2016	AD SH

- 1 MATERIAL .CAGE -0.4MM THICK NICKEL SIVLER AOOLY.
EMI SPRING: COPPER ALLOY;
- 2 .FINISH: EMI SPRING :1.27um NICKEL PALTING OVER ALL;
- 3.MATES WITH CFP MSA COMPLIANT TRANSCEIVERS.
- 4 .DATUM AND BASIC DIMENSION ESTABLISHED BY CUSTOMER.
- 5.MINIMUM PC BOARD THICKNESS: SIGLE SIDE APPLICATIONS=2.99±0.10mm.
BELLY TO BELLY APPLICATION: 3.0mm MIN.
- 6 .PADS AND VIAS CHASSIS GROUND;
- 7 :REFERENCE APPLICATION SOEC 114-32146,HOLE A, FOR
RECOMMENDED DRILL HOLE DIAMETER AND PLATING THICKNESS.
- 8 : DATE CODE MARKED IN APPROXIMATE AREA.



THIS PRINT IS
PRELIMINARY
 UNQUALIFIED PRODUCT
 CONTACT PRODUCT ENGINEERING
 BEFORE USING THIS PRINT

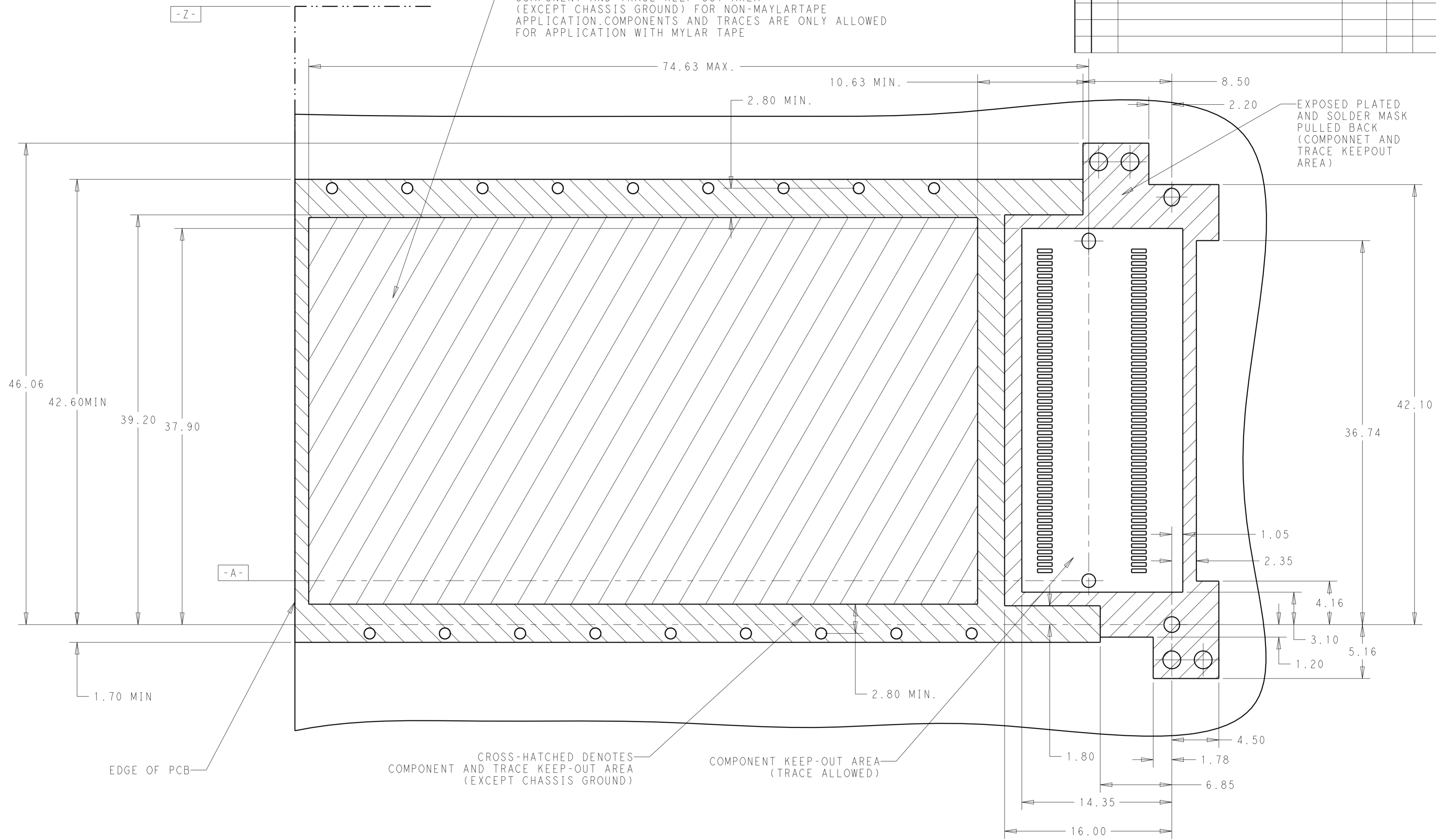
WITH	2274843-4
WITHOUT	2274843-2
MYLAR TAPE	PART NUMBER

THIS DRAWING IS A CONTROLLED DOCUMENT.		DWN ANDY.XIF 30MAY2016	STE TE Connectivity															
DIMENSIONS: mm		CHK SEAN.HAN 30MAY2016	NAME CAGE ASSEMBLY, CFP2 1X1 PRESS FIT, EMI SPRING															
TOLERANCES UNLESS OTHERWISE SPECIFIED:		APVD SEAN.HAN 30MAY2016																
<table border="1"> <tr><td>0 PLC</td><td>±</td></tr> <tr><td>1 PLC</td><td>±0.25</td></tr> <tr><td>2 PLC</td><td>±0.15</td></tr> <tr><td>3 PLC</td><td>±0.10</td></tr> <tr><td>4 PLC</td><td>±0.0001</td></tr> <tr><td>ANGLES</td><td>±</td></tr> <tr><td>FINISH</td><td>-</td></tr> </table>		0 PLC	±	1 PLC	±0.25	2 PLC	±0.15	3 PLC	±0.10	4 PLC	±0.0001	ANGLES	±	FINISH	-	PRODUCT SPEC 108-32103	RESTRICTED TO -	
0 PLC	±																	
1 PLC	±0.25																	
2 PLC	±0.15																	
3 PLC	±0.10																	
4 PLC	±0.0001																	
ANGLES	±																	
FINISH	-																	
MATERIAL -		APPLICATION SPEC 114-32146	SIZE A2	CAGE CODE -														
		WEIGHT -	DRAWING NO C-2274843	SCALE 1:1														
		CUSTOMER DRAWING	SHEET 1 OF 4	REV 3														

THIS DRAWING IS UNPUBLISHED. RELEASED FOR PUBLICATION 20
 © COPYRIGHT 20 BY - ALL RIGHTS RESERVED.

REVISIONS					
P	LTR	DESCRIPTION	DATE	DWN	APVD
-		SEE SHEET 1	-	-	-

CROSS-HATCHED DENOTES COMPONENT AND TRACE KEEP-OUT AREA (EXCEPT CHASSIS GROUND) FOR NON-MAYLARTAPE APPLICATION. COMPONENTS AND TRACES ARE ONLY ALLOWED FOR APPLICATION WITH MYLAR TAPE



EDGE OF PCB

CROSS-HATCHED DENOTES COMPONENT AND TRACE KEEP-OUT AREA (EXCEPT CHASSIS GROUND)

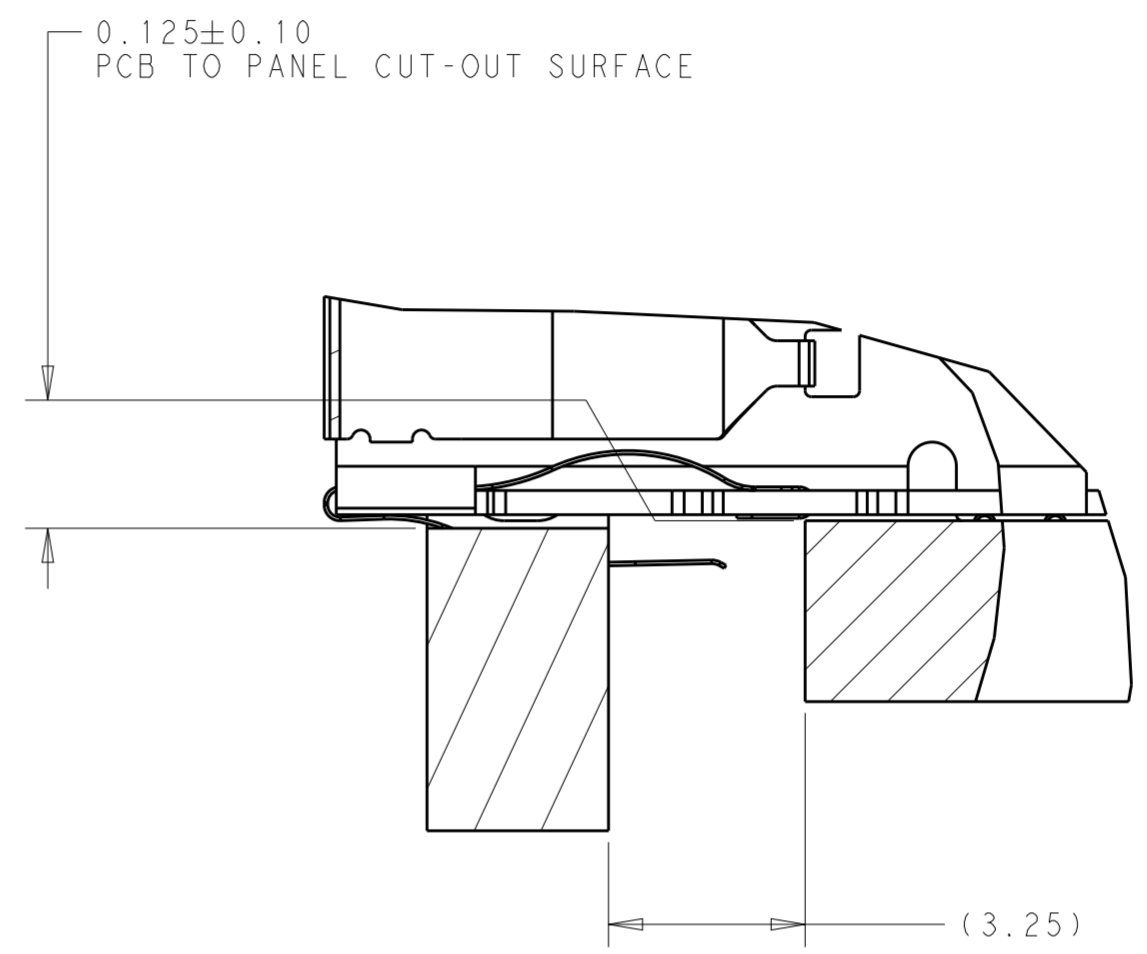
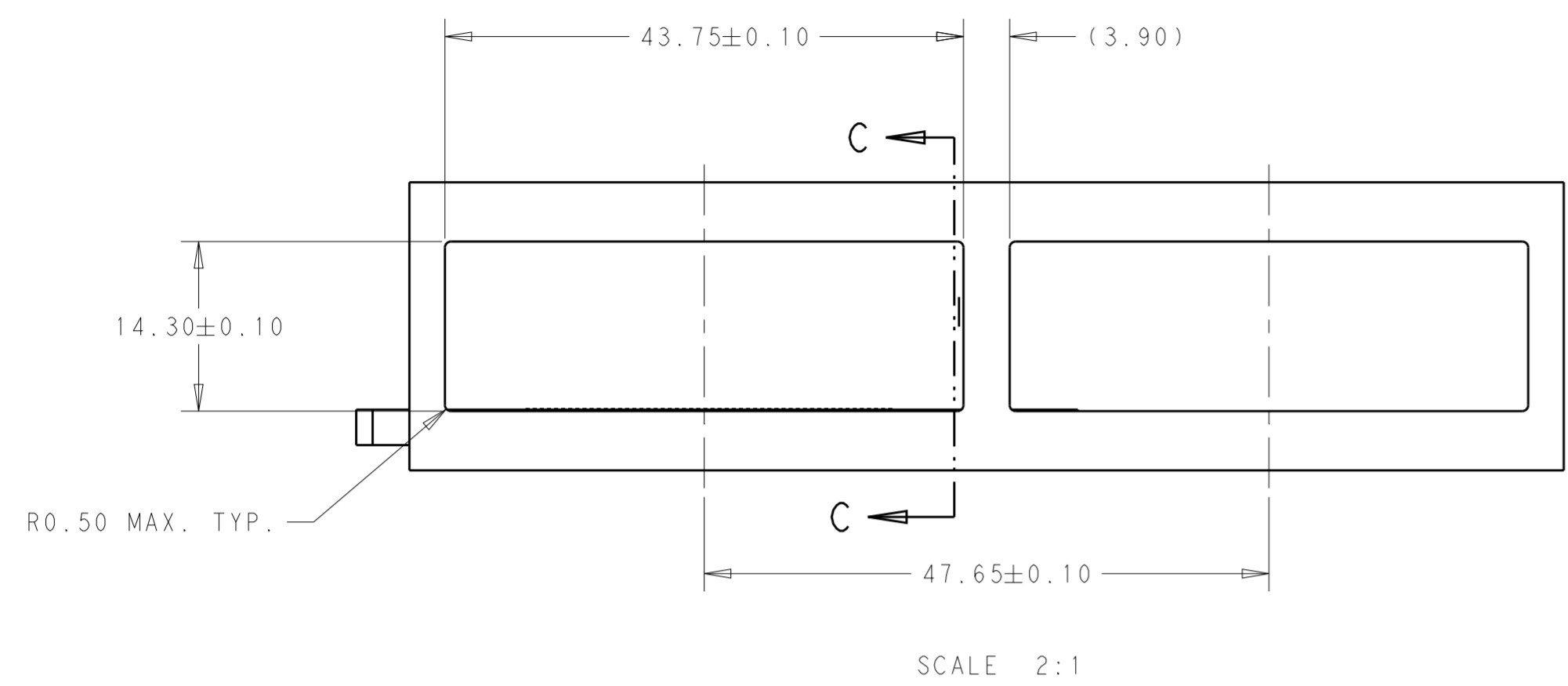
COMPONENT KEEP-OUT AREA (TRACE ALLOWED)

THIS PRINT IS
PRELIMINARY
 UNQUALIFIED PRODUCT
 CONTACT PRODUCT ENGINEERING
 BEFORE USING THIS PRINT

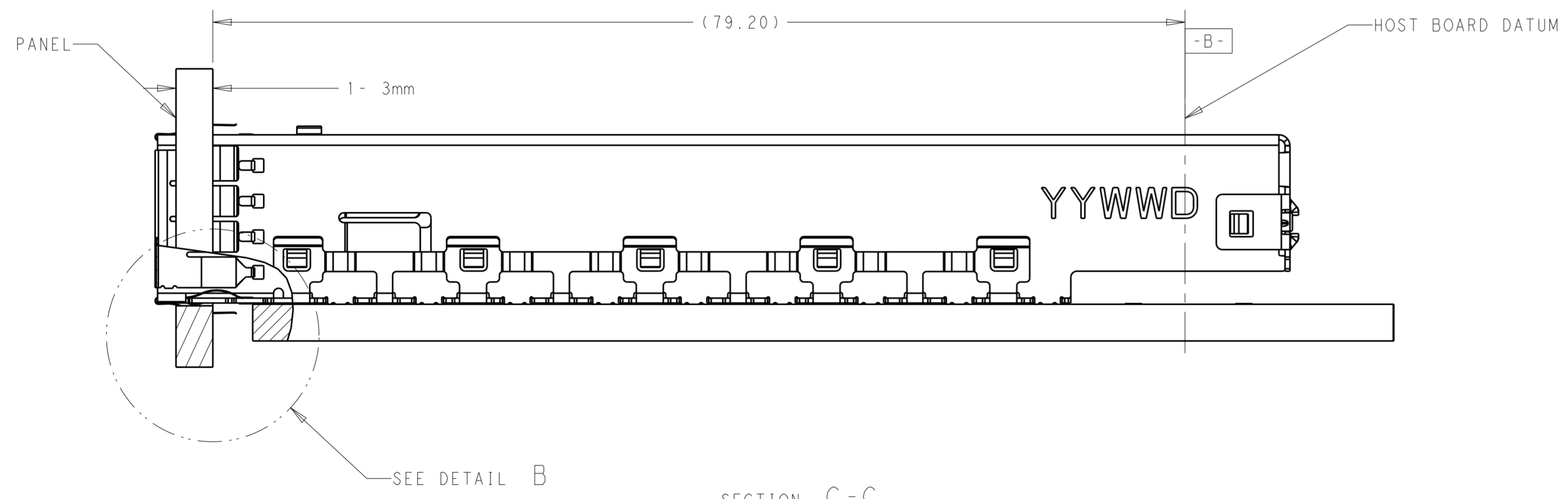
THIS DRAWING IS A CONTROLLED DOCUMENT.		DWN ANDY.XIF 30MAY2016	TE Connectivity	
DIMENSIONS: mm		CHK SEAN.HAN 30MAY2016		
TOLERANCES UNLESS OTHERWISE SPECIFIED:		APVD SEAN.HAN 30MAY2016	NAME CAGE ASSEMBLY, CFP2 1X1 PRESS FIT, EMI SPRING	
0 PLC ±0.10 1 PLC ±0.10 2 PLC ±0.10 3 PLC ±0.10 4 PLC ±0.05 ANGLES ±1 FINISH SEE NOTES		PRODUCT SPEC -	SIZE A2	
MATERIAL SEE NOTES		APPLICATION SPEC -	CAGE CODE -	DRAWING NO C-2274843
-		WEIGHT -	RESTRICTED TO -	SCALE 1:1
-		Customer Drawing	SHEET 3	REV 3

THIS DRAWING IS UNPUBLISHED. RELEASED FOR PUBLICATION 20
 © COPYRIGHT 20 BY - ALL RIGHTS RESERVED.

REVISIONS				
P	LTR	DESCRIPTION	DATE	APVD
-	-	SEE SHEET 1	-	-



DETAIL B
 SCALE 8:1



SECTION C-C
 SCALE 3:1

THIS PRINT IS
PRELIMINARY
 UNQUALIFIED PRODUCT
 CONTACT PRODUCT ENGINEERING
 BEFORE USING THIS PRINT

THIS DRAWING IS A CONTROLLED DOCUMENT.		DWN ANDY.XIE 30MAY2016	TE Connectivity	
DIMENSIONS: mm		CHK SEAN.HAN 30MAY2016		
TOLERANCES UNLESS OTHERWISE SPECIFIED:		APVD SEAN.HAN 30MAY2016	NAME CAGE ASSEMBLY ,CFP2 1X1 PRESS FIT,EMI SPRING	
0 PLC ± 1 PLC ±0.25 2 PLC ±0.15 3 PLC ±0.1 4 PLC ± ANGLES ±1 FINISH		PRODUCT SPEC -	SIZE A2	CAGE CODE -
MATERIAL SEE NOTES		APPLICATION SPEC -	DRAWING NO C-2274843	RESTRICTED TO -
-		WEIGHT -	SCALE 1:1	SHEET 4 OF 4
-		Customer Drawing	REV 3	