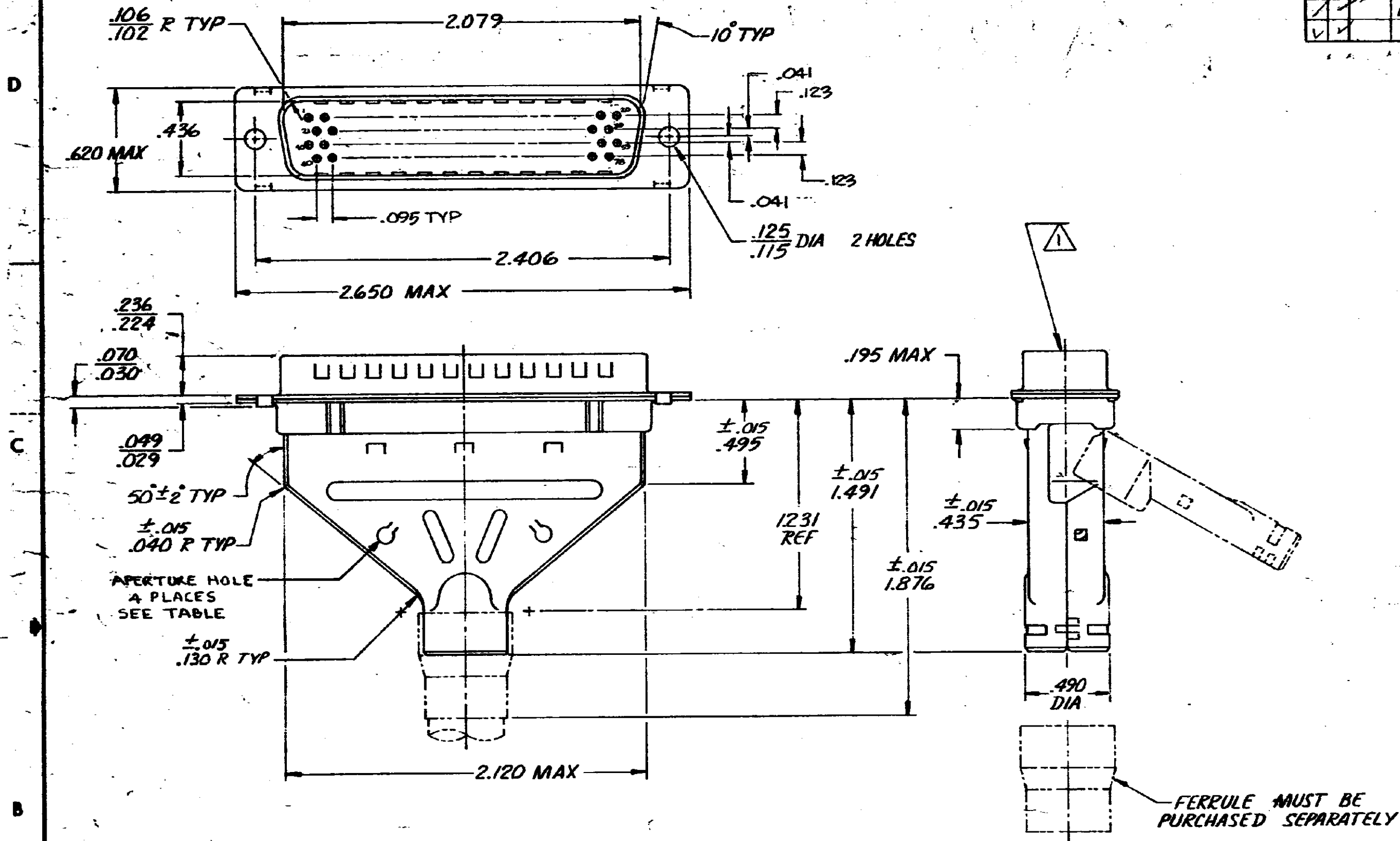


DRAWING MADE IN THIRD ANGLE PROJECTION

THIS DRAWING IS UNPUBLISHED. RELEASED FOR PUBLICATION
 © COPYRIGHT 19 BY AMP INCORPORATED, HARRISBURG, PA. ALL INTERNATIONAL RIGHTS RESERVED. AMP PRODUCTS MAY BE COVERED BY U.S. AND FOREIGN PATENTS AND/OR PATENTS PENDING.

REVISIONS				
P	F	ZONE/LTR	DESCRIPTION	DATE APPROVED
0			RELEASED WAS 88-5518-5	
1		A	REV PER ECN 804294	9-24-89
2		B	RELEASED - 2, APR 3826 WAS 91-5518-11	2-18-91 TMS



- 1 PLUG ACCEPTS SIZE 22 PIN CONTACTS (CONTACTS MUST BE ORDERED SEPARATELY).
- 2 ALL PARTS SHIPPED UNASSEMBLED. EACH PART INDIVIDUALLY BULK PACKED.
- 3 FLAME RETARDANT 94V-0 RATED GLASS-FILLED NYLON, COLOR: BLACK.

WITHOUT	748472-2
WITH	748472-1
APERTURE HOLE	PART NO

UNLESS OTHERWISE SPECIFIED DIMENSIONS ARE IN INCHES. TOLERANCES ON: DECIMALS $\pm .005$ ANGLES $\pm 0^\circ 30'$	CONTRACT NO	AMP AMP INCORPORATED Harrisburg, Pa. 17106		
	DR CHK	NAME KIT, PLUG, SHIELDING HARDWARE, 78 POSN, SIZE 5, AMPLIMITE® HDP-22		
	MATERIAL HOUSING: A SHELLS: CS PER ASTM A109 SHIELDS: STEEL PER ASTM A109	APPD DSGN APPD OTHER APPD	SIZE C	FSCM NO 00779
	FINISH SHELLS AND SHIELDS: TIN PLATED PER MIL-T-10727	APPD DSGN APPD OTHER APPD	DRAWING NO 748472	SHEET 1 of 1