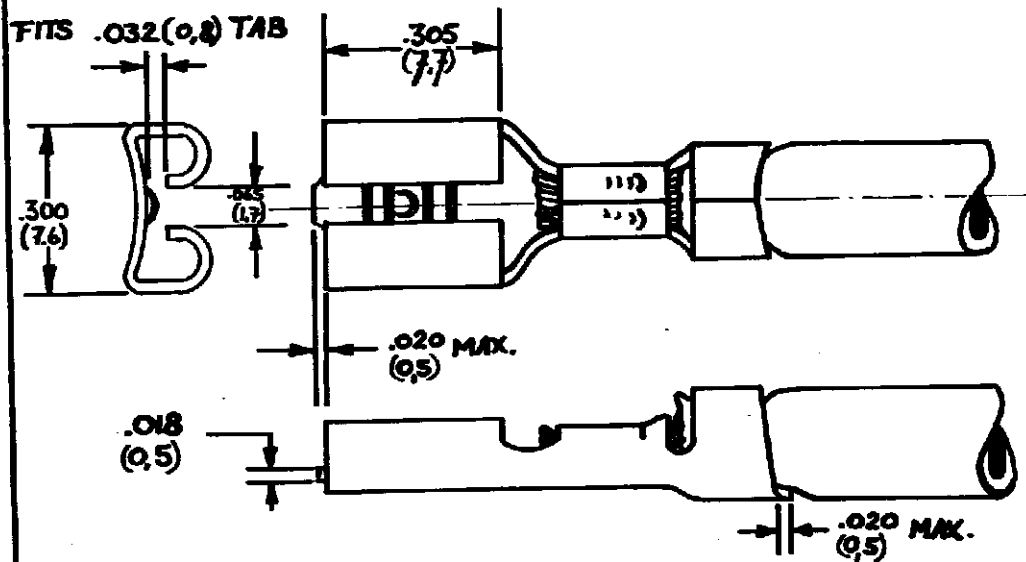
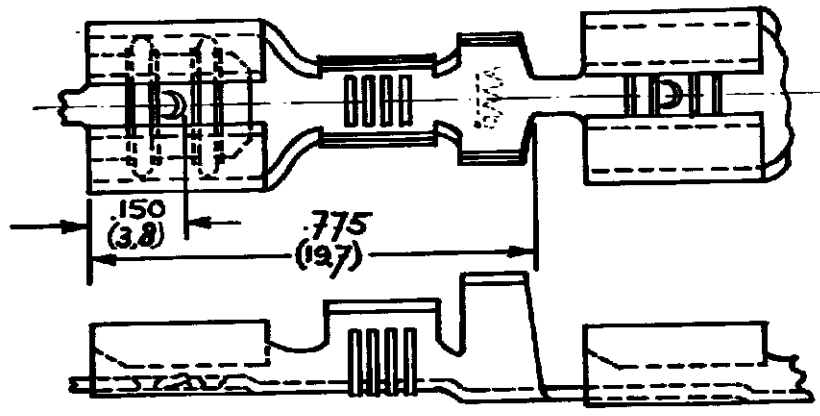


DRAWING MADE IN AMERICAN PROJECTION

NUMBER C-160855



- NOTES: 1. FOR USE ON STANDARD AND MINIATURE APPLICATORS
 2. HIGH INSERTION FORCE VERSION
 3. AMP-D-MATOR APPLICATION

CUSTOMER COPY FOR REFERENCE ONLY

©1984 BY AMP-HOLLAND N.V. ALL RIGHTS RESERVED A-MP PRODUCTS COVERED BY PATENTS AND/OR PATENTS PENDING.



AMP-HOLLAND N.V.
 's-Hertogenbosch

DIMENSIONS IN (IN) DO NOT SCALE PRINT

160855-2A		
160855-1	NICK SILVER WIRE	UNPLATED
OFFER NO.	MATERIAL	PLATING
DR	DATE	DE
DATE	DATE	DATE
DATE	DATE	DATE

WIRE RANGE 14-18 AWG (2.0-3.2 mm ²)	INSUL RANGE 150-250 (3.8-5.7)	FIRST USED
SCALE 4:1	SIZE A	NO C-160855
NAME .250 SERIES FASTON RECEPTACLE		REV B