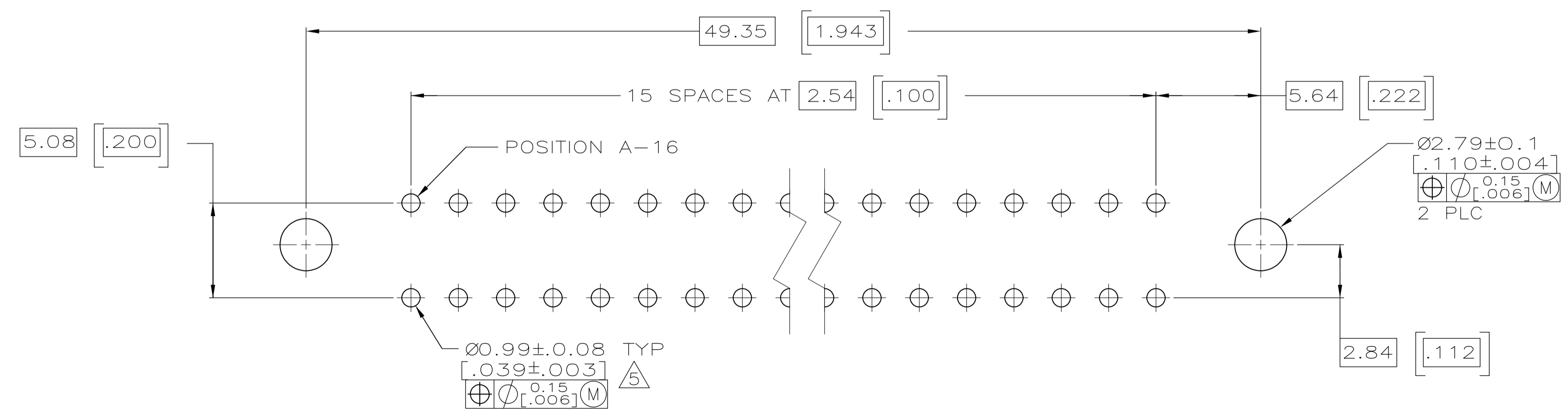
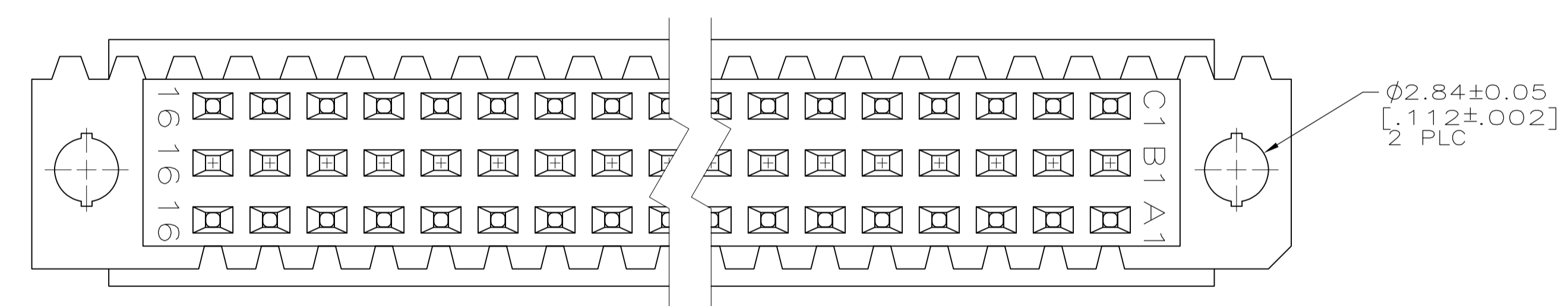
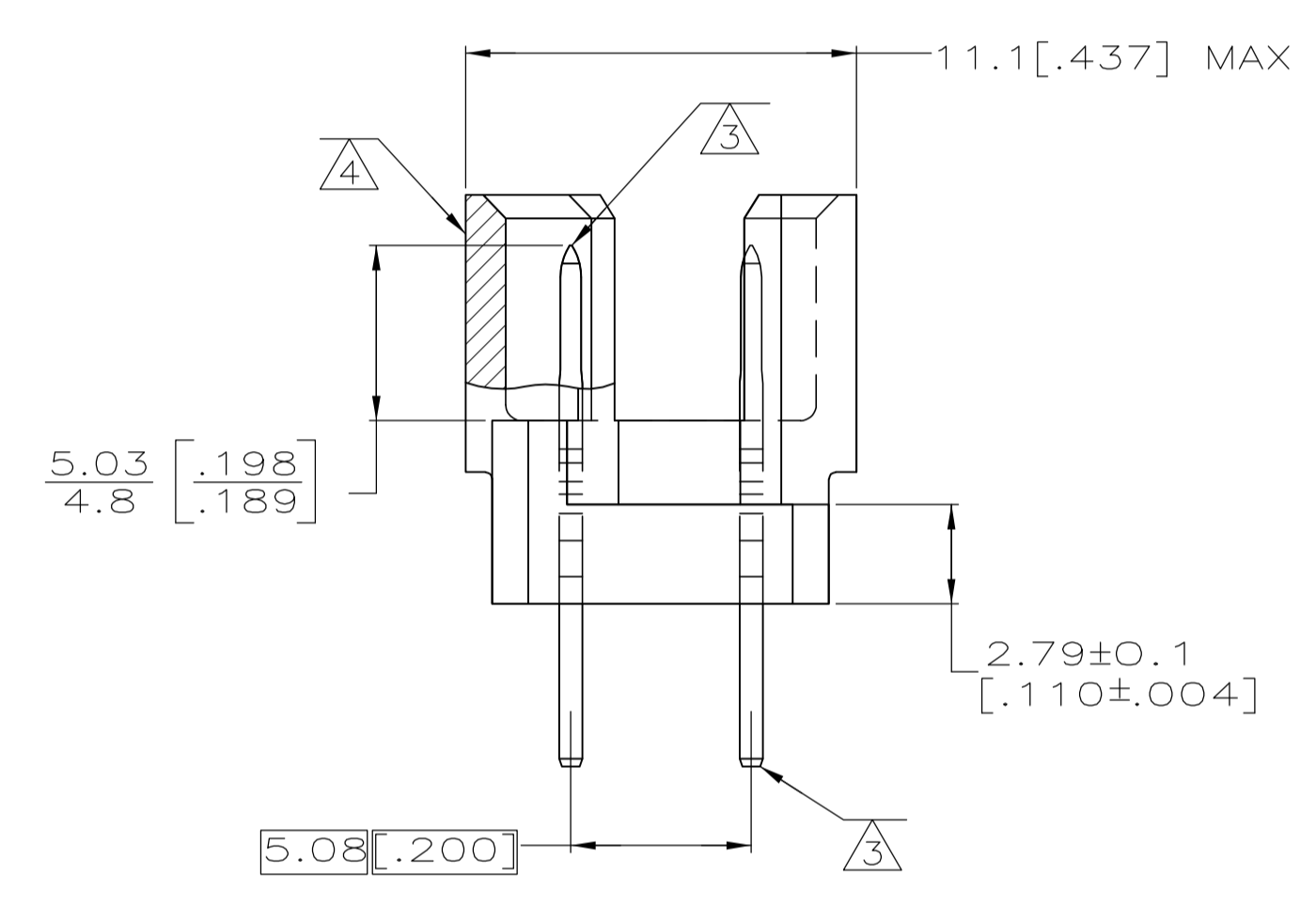
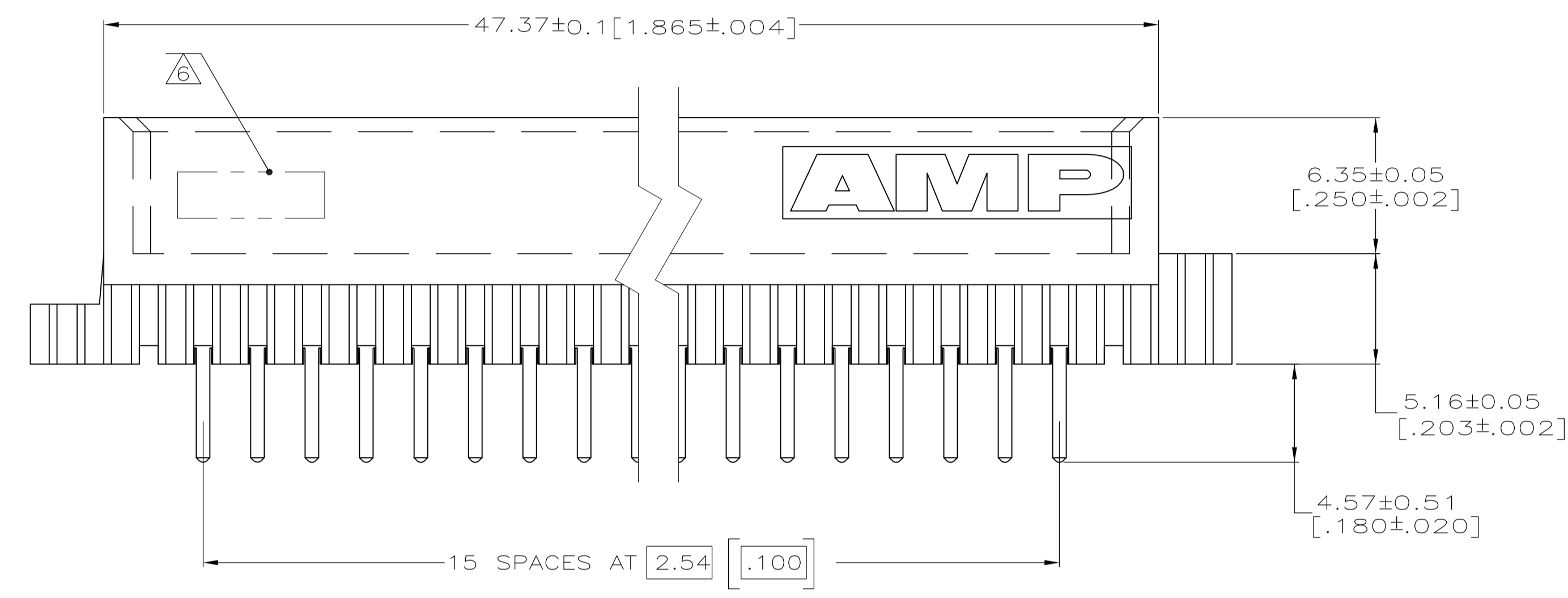
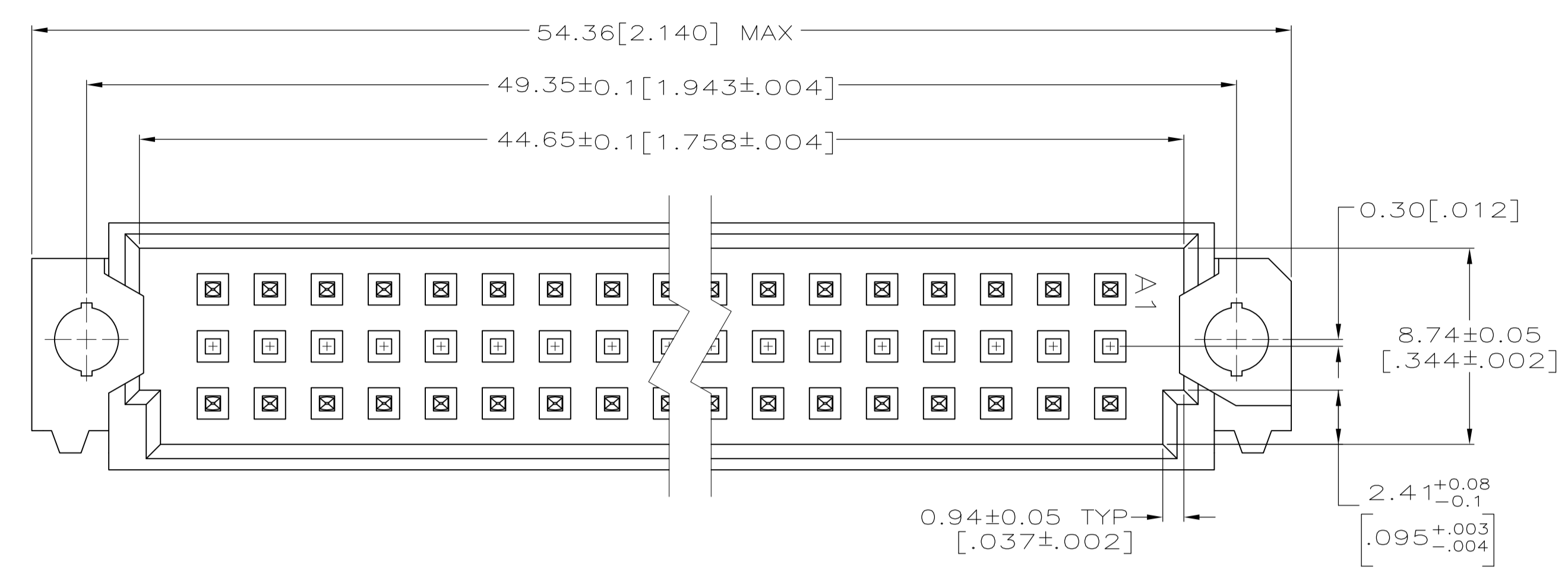


LOC		DIST		REVISONS			
AD	25	F	LTR	DESCRIPTION	DATE	DWN	APVD
		01		REVISED PER ECO-07-012819	28JUN07	DH	DB

- 1 HOUSING MATERIAL: GLASS-FILLED POLYMER.
- 2 POST MATERIAL: COPPER ALLOY.
- 3 POST FINISH: DIN 41612 CLASS 2 IN CONTACT AREA. TIN PLATE ON POSTS.
- 4 MARKING ON THIS SIDE.
- 5 RECOMMENDED HOLE SIZE FOR MANUAL APPLICATION OF CONNECTOR ONTO PC BOARD.
- 6 PART NUMBER, DATE CODE MARKED THIS APPROXIMATE AREA.



1-16	X	-	X	32	5650936-5
POSITIONS LOADED	C	B	A	NO. OF LOADED POSITION	ASSY PART NUMBER

THIS DRAWING IS A CONTROLLED DOCUMENT.		DIN J. POLIGNONE	OSMAYOS	Tyco Electronics Corporation Harrisburg, PA 17105-3608	
DIMENSIONS: mm [INCHES]		OSMAYOS	OSMAYOS	NAME: ASSEMBLY, PIN, EUROCARD, TYPE 1/2R, A and C, 32/48 POSITION, 4.57[.180] SOLDER POST	
TOLERANCES UNLESS OTHERWISE SPECIFIED:		OSMAYOS	OSMAYOS	APPLICATION SPEC	
0 PLC ± -				SIZE: A1	
1 PLC ± -				CAGE CODE: 00779	
2 PLC ± 0.13[.005]				DRAWING NO: 5650936	
3 PLC ± -				RESTRICTED TO	
4 PLC ± -				WEIGHT: -	
ANGLES ± -				SCALE: 5:1	
MATERIAL		FINISH		SHEET 1 OF 1	
1 2		3		REV 01	
CUSTOMER DRAWING					