

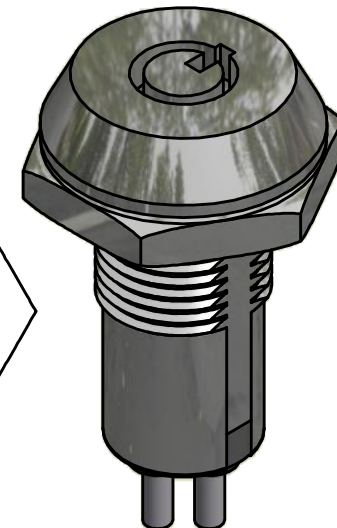
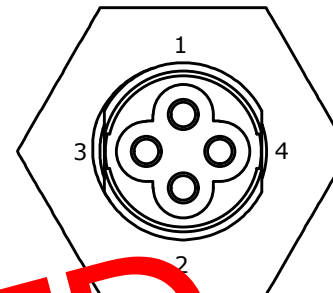
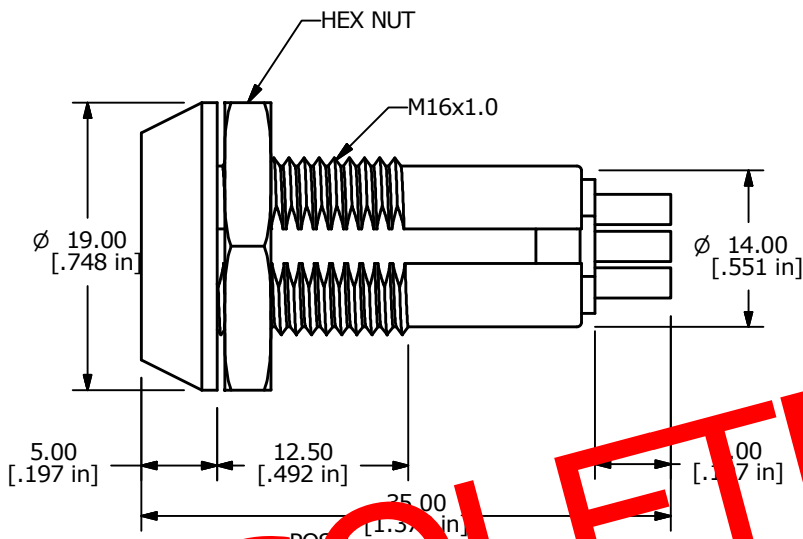
RECOMMENDED PANEL CUTOUT

NOTES:

1. ALL DIMENSIONS IN MM[INCH]
2. GENERAL TOLERANCE: x.x= ± 0.4
x.xx= ± 0.25
3. TERM. NOS. FOR REFERENCE ONLY.
4. RATING: 3A @125VAC, 1.5A @250VAC
5. CONTACT RESISTANCE: 20milli-OHMS MAX
6. DIELECTRIC STRENGTH: 1500 Vrms
7. INSULATION RESISTANCE: 200 MEGA-OHMS MIN.
8. MATERIALS:

HOUSING: ZINC ALLOY DIE CAST W/ CHROME PLATING
 CYLINDER: ZINC ALLOY DIE CAST W/CHROME PLATING
 TERMINAL AND CONTACTS: SILVER PLATED
 KEYS (2) KEY CODE 10003: TUBULAR ZINC ALLOY, CHROME PLATING
 W/PLASTIC COVER

OBSOLETE
 May 2016
 PCR 22309

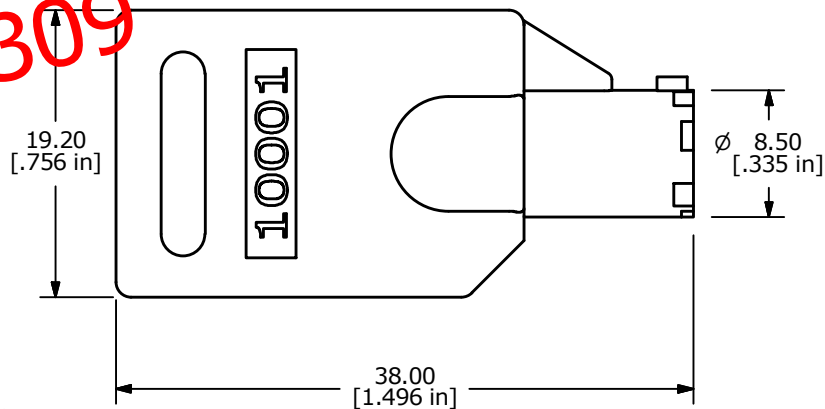


CIRCUIT: SPDT
 CONTACT CONFIGURATION
 90 IN EXINC

SWITCH FUNCTION	
POS 1	POS 2
↑	→
ON	ON
TERM 1-2	TERM 3-4

LEGEND

- = INDICATES KEY PULL POSSIBLE
- = INDICATES DETENT POSITION



B	16496	FIXED SWITCH FUNCTION TO ON-ON	9/28/2006	TN
A	16477	NEW PART RELEASE	9/26/2006	TN
REV	PCR NO	DESCRIPTION	DATE	BY

TITLE K0104A10003				
SCALE	DATE	DR	DWG	REV
2:1	9/26/2006	TN	K300112	B

THE INFORMATION CONTAINED IN THIS DOCUMENT IS PROPRIETARY TO E-SWITCH AND IS NOT TO BE COPIED OR TRANSFERRED