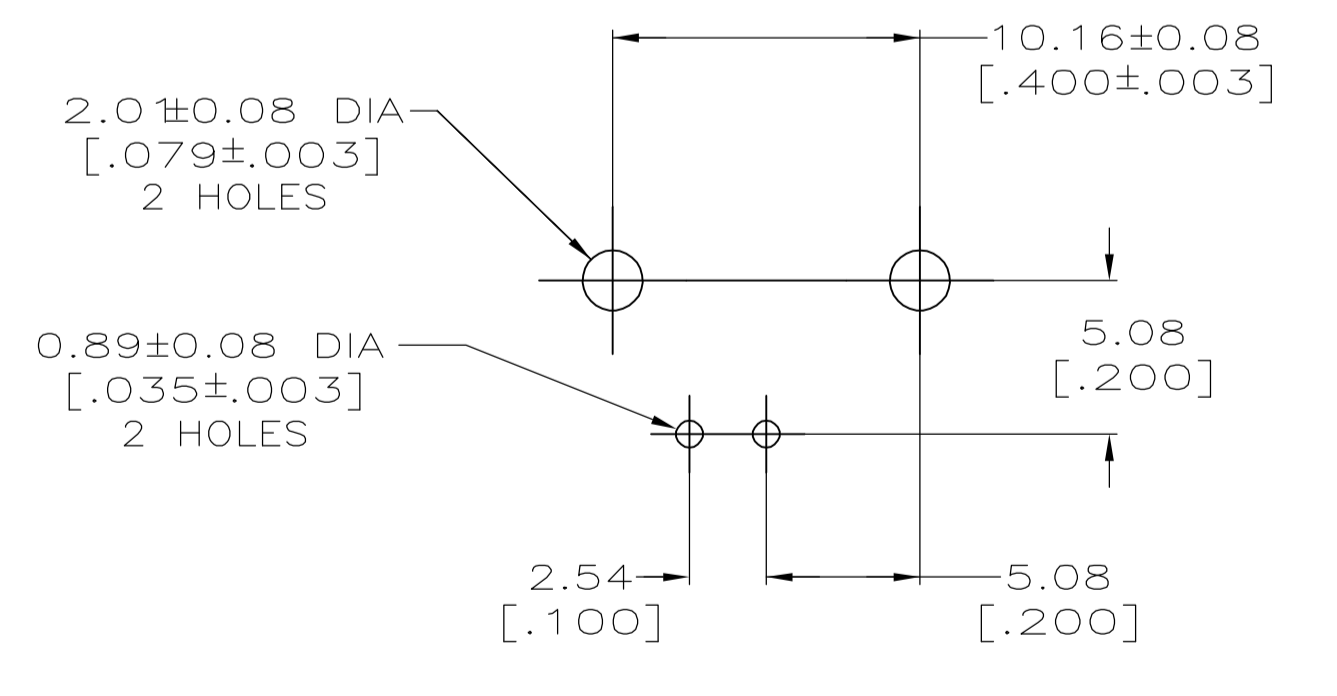
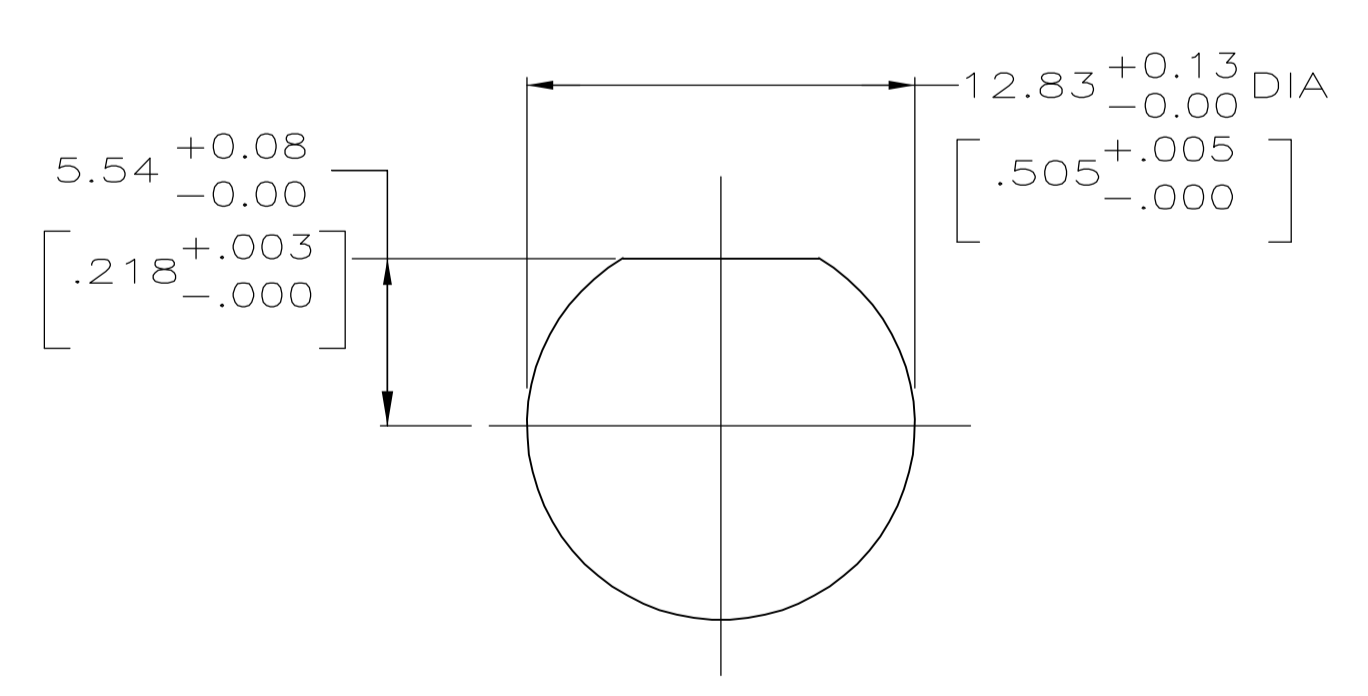


- 1 ZINC PER QQ-Z-363.
- 2 POLYMETHYLPENTENE PER ASTM-D-1238.
- 3 PHOSPHOR BRONZE PER QQ-B-750.
- 4 BRASS PER ASTM-B-453.
- 5 BRASS PER ASTM-B-16.
- 6 NICKEL PLATE PER QQ-N-290, 3.81 μm [.000150] MINIMUM THICK.
- 7 TIN PLATE PER ASTM-B-545, 3.81 μm [.000150] MINIMUM THICK.
- 8 GOLD PLATE PER MIL-G-45204, 0.76 μm [.000030] MINIMUM THICK.
- 9 POLYPHTHALAMIDE, PPA, GENERAL PURPOSE
- 10. SEE INSTRUCTION SHEET 2769.



| | |
|---------------------|-------------|
| OBSELETE | 227677-2 |
| | 227677-1 |
| DIELECTRIC MATERIAL | PART NUMBER |

| | | | | |
|--|------------------|------------------------|------------------------------|--------------|
| THIS DRAWING IS A CONTROLLED DOCUMENT. | | DIN J. LIPPERT 6-29-92 | Tyco Electronics Corporation | |
| DIMENSIONS: INCHES | | CIK A. GABANY 7-2-92 | Harrisburg, PA 17105-3608 | |
| TOLERANCES UNLESS OTHERWISE SPECIFIED: | | APVD A. GABANY 7-2-92 | NAME | |
| 0 PLC ± - | 1 PLC ± - | JACK, RIGHT ANGLE, PCB | | |
| 2 PLC ± 0.05 [.002] | 3 PLC ± - | 50 OHM, SERIES BNC | | |
| 4 PLC ± - | ANGLES ± - | PRODUCT SPEC 108-12078 | RESTRICTED TO | |
| MATERIAL SEE NOTES | FINISH SEE NOTES | APPLICATION SPEC | SIZE A1 | WEIGHT - |
| | | CUSTOMER DRAWING | SCALE 4:1 | SHEET 1 OF 1 |