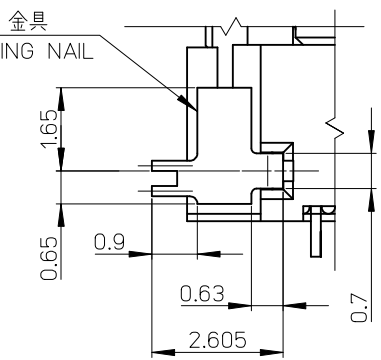
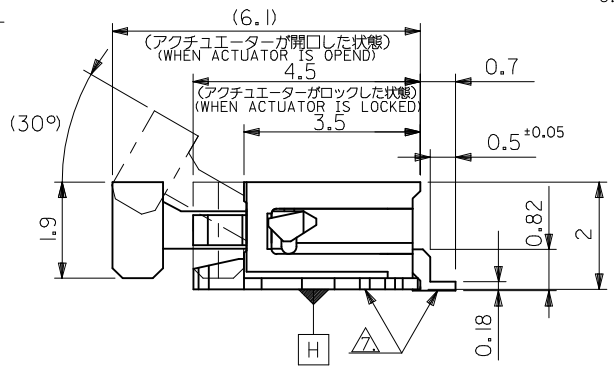
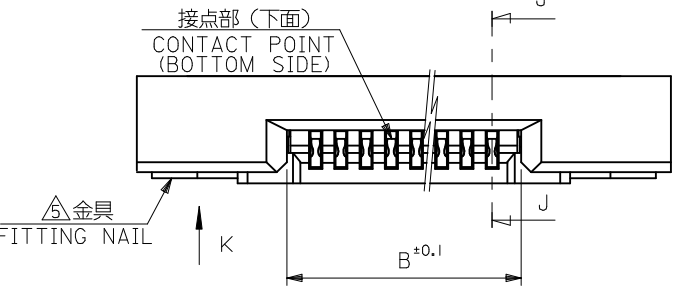
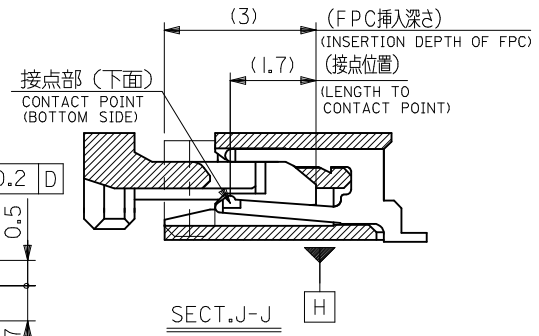
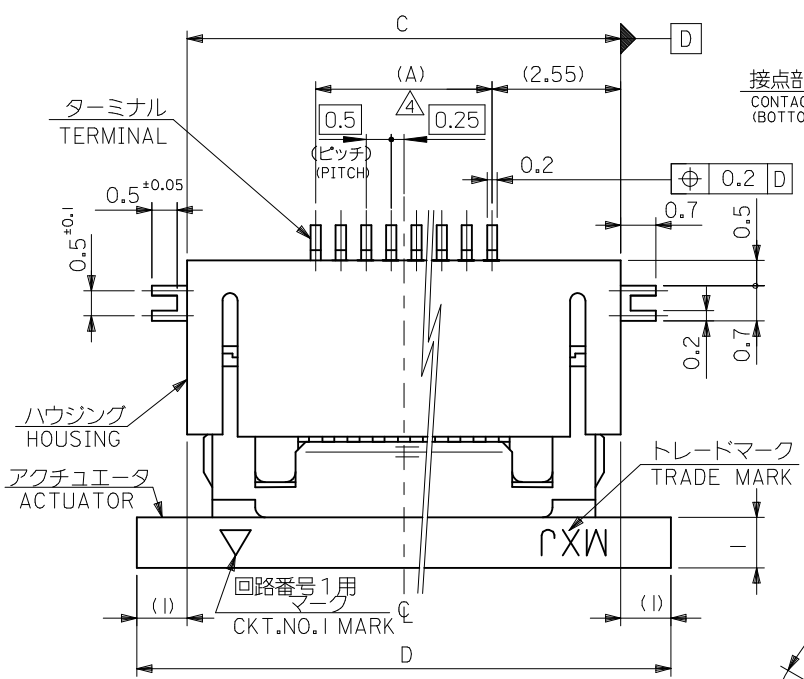


NOTES

1. 使用材料
 MATERIAL
 ハウジング: ポリアミド(PA)、ナチュラル(白色)、ガラス充填、UL94V-0
 HOUSING: POLYAMIDE NATURAL(WHITE), GLASS FILLED, UL94V-0
 アクチュエータ: ポリフェニレンサルファイド(PPS)、ナチュラル(茶色)、ガラス充填、UL94V-0
 ACTUATOR: PPS, NATURAL(BROWN), GLASS FILLED, UL94V-0
 ターミナル: リン青銅 (t = 0.2)
 TERMINAL: PHOSPHOR BRONZE (t = 0.2)
 金具: リン青銅 (t = 0.2)
 FITTING NAIL: PHOSPHOR BRONZE (t = 0.2)
2. メッキ仕様 PLATING
 ターミナル TERMINAL
 鍍銀ビスマスメッキ (1.0 μm以上)
 TIN SILVER BISMUTH PLATING (1.0 MICROMETER MINIMUM)
 下地メッキ: ニッケルメッキ (1.0 μm以上)
 UNDER PLATING: NICKEL PLATING (1.0 MICROMETER MINIMUM)
 金具 NAIL
 鍍メッキ (1.0 μm以上)
 TIN PLATING (1.0 MICROMETER MINIMUM)
 下地メッキ: ニッケルメッキ (1.0 μm以上)
 UNDER PLATING: NICKEL PLATING (1.0 MICROMETER MINIMUM)
3. エンボステープ梱包時は、アクチュエータがロックした状態になります。
 IN THE PACKAGE, ACTUATOR OF PART NO.52437-**-**22 SHOULD BE LOCKED.
 偶数極に適用
 APPLY FOR EVEN CIRCUIT.
 ハ・ターン制鎖止め金具
 FITTING NAIL FOR PREVENTION OF PEELING OF P.W.B. PATTERN.
 R0.3は、FPCの導体部にかからないこと
 R0.3 MUST NOT BE OVERLAPED TO PATTERN OF FPC.
 ソルダータール半田付け面のズレ量、及び金具半田付け面のズレ量は、
 基準面 H に対して上方向に0.1MAXIMUM、下方向に0.15MAXIMUMとする。
 MISALIGNMENT OF SOLDER TAILS AND FITTING NAILS FROM DATUM H.
 UPPER DIRECTION : 0.1 MAXIMUM
 LOWER DIRECTION : 0.15 MAXIMUM
 8. ELV及びRoHS適合品
 ELV AND RoHS COMPLIANT

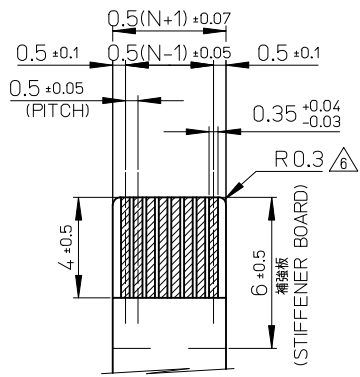


24.1	22.1	18.15	17.0	52437-3533	35
21.6	19.6	15.65	14.5	52437-3033	30
21.1	19.1	15.15	14.0	52437-2933	29
20.6	18.6	14.65	13.5	52437-2833	28
20.1	18.1	14.15	13.0	52437-2733	27
19.6	17.6	13.65	12.5	52437-2633	26
19.1	17.1	13.15	12.0	52437-2533	25
18.6	16.6	12.65	11.5	52437-2433	24
18.1	16.1	12.15	11.0	52437-2333	23
17.6	15.6	11.65	10.5	52437-2233	22
17.1	15.1	11.15	10.0	52437-2133	21
D	C	B	(A)	EMBOSSED PACKAGE ORDER No. オーダー番号	極数 CKT.

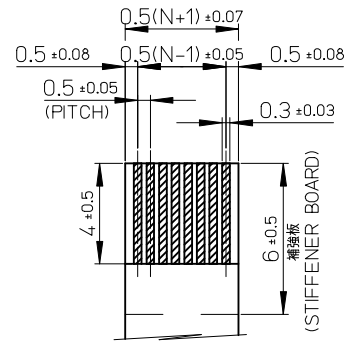
CONNECTOR SERIES NO. : 52437-**-**22

RELEASED EC NO. J2013-1015 DRWN: KMIYAHARA 2012/09/05 CHKD: KTAKAHASHI 2012/09/05 APPR: KMORIKAWA 2013/04/05	DESCRIPTION GENERAL TOLERANCES (UNLESS SPECIFIED) 10 UNDER ±0.2 10 OVER 30 UNDER ±0.25 30 OVER ±0.3 ANGULAR ±3 ° DRAFT WHERE APPLICABLE MUST REMAIN WITHIN DIMENSIONS	DIMENSION STYLE MM ONLY	SCALE 10:1	DESIGN UNITS METRIC	THIRD ANGLE PROJECTION	
		DRAWN BY KMIYAHARA	DATE 2012/09/05	TITLE 0.5MM FPC CONN ZIF R/A HOUSING ASSY (LOWER CONTACT)		
		CHECKED BY KTAKAHASHI	DATE 2012/09/05	MATERIAL NO. SEE CHART		
		APPROVED BY KMORIKAWA	DATE 2013/04/05	DOCUMENT NO. SD-52437-023		SHEET NO. 1 OF 2

THIS DRAWING CONTAINS INFORMATION THAT IS PROPRIETARY TO MOLEX INCORPORATED AND SHOULD NOT BE USED WITHOUT WRITTEN PERMISSION



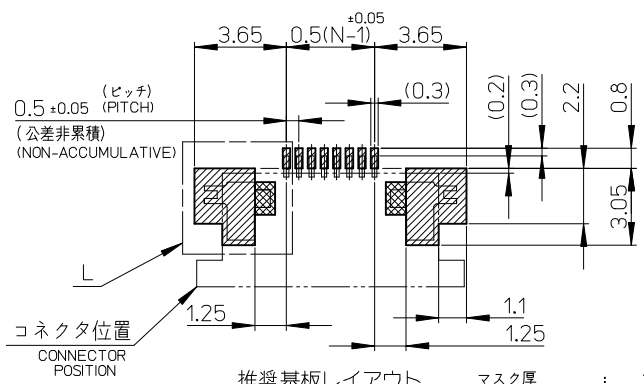
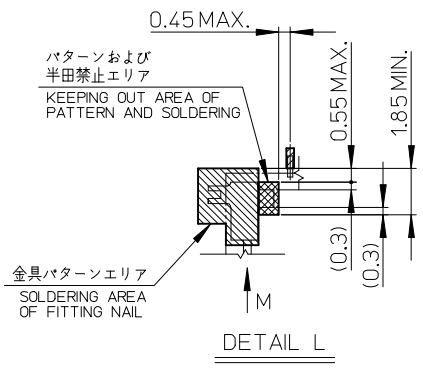
適合FPC推奨寸法
 APPLICABLE FPC
 PLATING RECOMMENDED DIMENSION
 仕上がり厚さ: 0.3±0.05
 THICKNESS: 0.3+0.05/-0.05



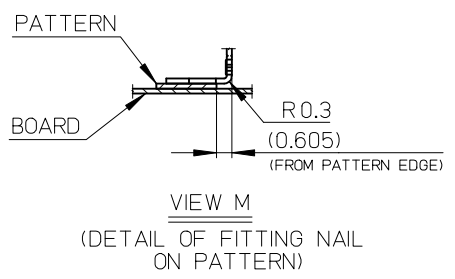
適合FFC推奨寸法
 APPLICABLE FFC
 PLATING RECOMMENDED DIMENSION
 仕上がり厚さ: 0.3±0.05
 THICKNESS: 0.3+0.05/-0.05

FPC/FFCについて ABOUT FPC/FFC
 打ち抜き方向は導体側から補強板側を推奨します。
 導体部については軟箔銅35μmまたは50μmを推奨します。
 RECOMMENDED PUNCHING DIRECTION: FROM CONDUCTOR
 SIDE TO STIFFENER SIDE
 RECOMMENDED CONDUCTOR SPEC: SOFT COPPER FOIL
 RECOMMENDED CONDUCTOR THICKNESS: 35 MICROMETER
 OR 50 MICROMETER

FPCについてABOUT FPC
 補強フィルム材質はポリイミドを推奨します。ベースフィルムは25μmを推奨します。
 接着剤は熱硬化接着剤を推奨します。
 尚、接着剤の接点部への付着は導通不良の原因になりますので、染み出しが無い様、お願い致します。
 RECOMMENDED STIFFENER MATERIAL: POLYIMIDE
 RECOMMENDED BASE FILM THICKNESS: 25 MICROMETER
 RECOMMENDED ADHESIVE: THERMOSETTING ADHESIVE
 NOTE: PLEASE PUT APPROPRIATE AMOUNT OF ADHESIVE
 ON ADHEREND BECAUSE THERE IS A
 POSSIBILITY THAT THE EXTRA ADHESIVE CAUSES THE
 DEFECT IN ELECTRICAL CONTINUITY.



推奨基板レイアウト (マウント面)
 RECOMMENDED P.C.BOARD PATTERN DIMENSION (MOUNTING SIDE)
 マスク厚 : 100μm
 マスク開口率 : 100%
 SCREEN THICKNESS : 100μm
 SCREEN OPEN RATIO : 100%



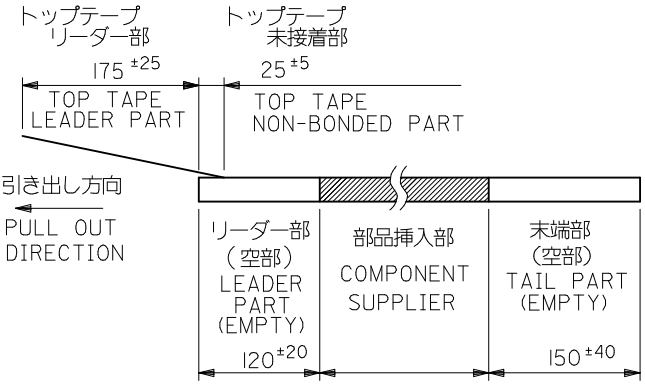
SEE SHEET 1 OF 2 EC NO.: J2013-1015 DRAWN: KMIYAHARA 2012/09/05 CHKD: KTAKAHASHI 2012/09/05 APPR: KMORIKAWA 2013/04/05	DESCRIPTION	GENERAL TOLERANCES (UNLESS SPECIFIED)		DIMENSION STYLE MM ONLY		SCALE 5:1	DESIGN UNITS METRIC	THIRD ANGLE PROJECTION	
		10 UNDER	± ---	DRAWN BY KMIYAHARA	DATE 2012/09/05	TITLE 0.5MM FPC CONN ZIF R/A HOUSING ASSY (LOWER CONTACT)			
		10 OVER 30 UNDER	± ---	CHECKED BY KTAKAHASHI	DATE 2012/09/05				
		30 OVER	± ---	APPROVED BY KMORIKAWA	DATE 2013/04/05				
0	REV	ANGULAR	± --- °	MATERIAL NO. SEE SHEET 1		DOCUMENT NO. SD-52437-023		SHEET NO. 2 OF 2	
DRAFT WHERE APPLICABLE MUST REMAIN WITHIN DIMENSIONS		THIS DRAWING CONTAINS INFORMATION THAT IS PROPRIETARY TO MOLEX INCORPORATED AND SHOULD NOT BE USED WITHOUT WRITTEN PERMISSION							

注記 NOTES

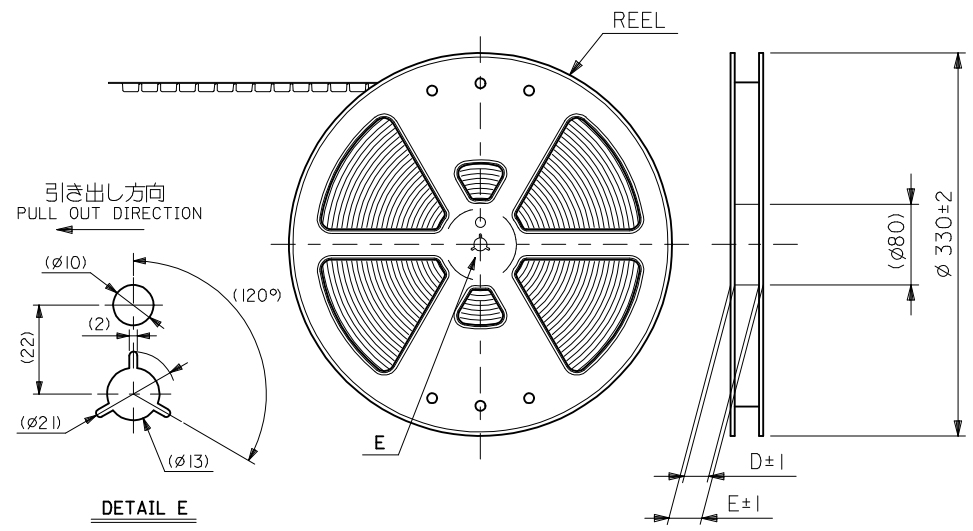
1. 製品番号52437-**22の梱包状態はアクチュエータがロックした状態とする。
 製品の詳細寸法については図面SD-52437-023を参照下さい。
 IN THE PACKAGE, ACTUATOR OF PART NO. 52437-**22 SHOULD BE LOCKED
 RE DETAILED DIMENSIONS, SEE SD-52437-023.

2. 梱包数量：1000個/リール
 NUMBER OF CONNECTORS:1000PCS/REEL

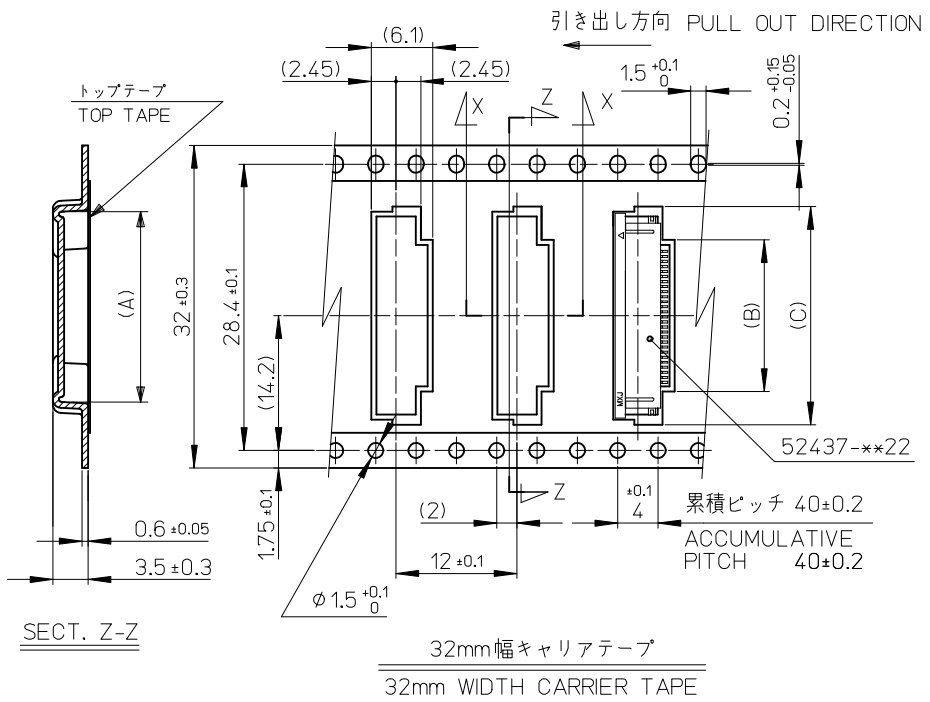
3. リードテープ長さ LEAD TAPE LENGTH



4. カバーテープの剥離強度については、IEC60286-3に準拠
 COVER TAPE PEEL FORCE IS DEFINED BY IEC 60286-3.
5. 材料 (MATERIAL)
 キャリアテープ (CARRIER TAPE) : ポリプロピレン (POLYPROPYLENE)
 トップテープ (TOPTAPE) : PET, PE, PEF
 リール (REEL) : ポリスチレン (PS) <リサイクル材を含む>
 POLYSTYREN (PS) <RECYCLE MATERIAL CONTAINED>
6. ELV及びRoHS適合品
 ELV AND RoHS COMPLIANT



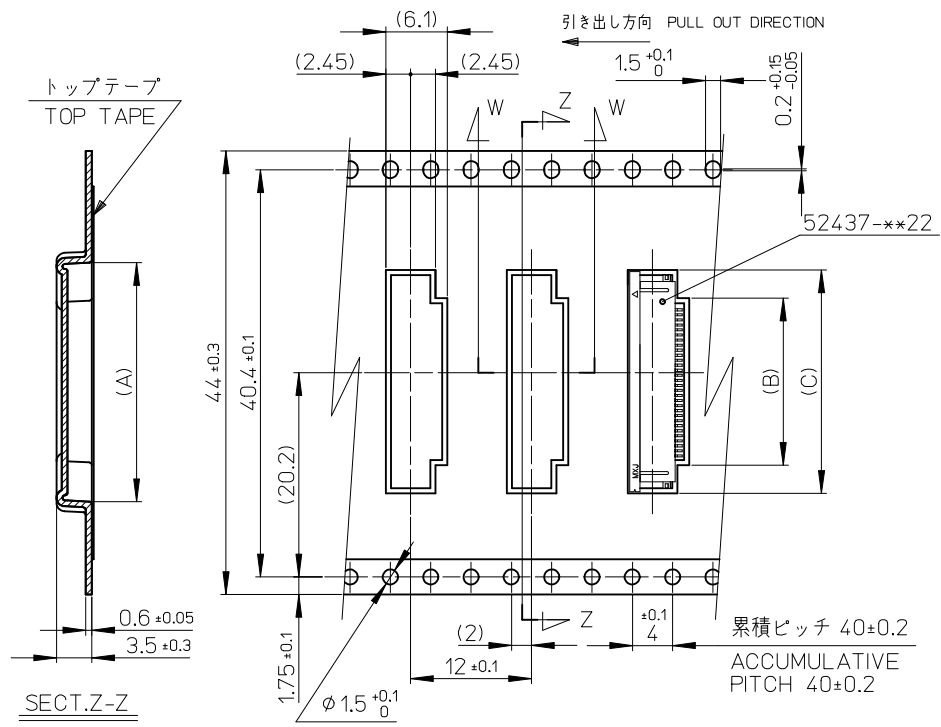
RELEASED EC NO: J2013-1015 DRWN: AISHII 2012/09/10 CHKD: TAKAHASHI 2012/09/10 APPR: KMORIKAWA 2013/04/05	GENERAL TOLERANCES (UNLESS SPECIFIED)		DIMENSION STYLE MM ONLY		SCALE ---	DESIGN UNITS METRIC	THIRD ANGLE PROJECTION
	10 UNDER	± 0.2	DRAWN BY AISHII	DATE 2012/09/10	TITLE EMBOSS TAPE PACKAGED FOR 0.5MM FPC CONN ZIF R/A HOUSING ASSY molex DOCUMENT NO. SD-52437-024 SHEET NO. 1 OF 3		
	10 OVER 30 UNDER	± 0.25	CHECKED BY KTAKAHASHI	DATE 2012/09/10			
	30 OVER	± 0.3	APPROVED BY KMORIKAWA	DATE 2013/04/05			
ANGULAR	± 3 °	MATERIAL NO. SEE CHART					
DRAFT WHERE APPLICABLE MUST REMAIN WITHIN DIMENSIONS		THIS DRAWING CONTAINS INFORMATION THAT IS PROPRIETARY TO MOLEX INCORPORATED AND SHOULD NOT BE USED WITHOUT WRITTEN PERMISSION					



32	37.4	33.4	22.4	15.8	21.4	52437-2933	29
			21.9	15.3	20.9	-2833	28
			21.4	14.8	20.4	-2733	27
			20.9	14.3	19.9	-2633	26
			20.4	13.8	19.4	-2533	25
			19.9	13.3	18.9	-2433	24
			19.4	12.8	18.4	-2333	23
			18.9	12.3	17.9	52437-2233	22
キャリアテープ幅 CARRIER TAPE WIDTH	E	D	(C)	(B)	(A)	製品番号 MATERIAL NO	極数 CKT

SEE SHEET 1 OF 3 EC NO: J2013-1015 DRW: AISHII 2012/09/13 CHKD: TAKAHASHI 2012/09/13 APPR: KMORIKAWA 2013/04/05	GENERAL TOLERANCES (UNLESS SPECIFIED)	10 UNDER ± ---	10 OVER 30 UNDER ± ---	30 OVER ± ---	ANGULAR ± --- °	DRAFT WHERE APPLICABLE MUST REMAIN WITHIN DIMENSIONS		
	DIMENSION STYLE	MM ONLY		SCALE	---	DESIGN UNITS	METRIC	THIRD ANGLE PROJECTION
	DRAWN BY	AISHII	DATE	2012/09/13	TITLE	EMBOSS TAPE PACKAGED FOR 0.5MM FPC CONN ZIF R/A HOUSING ASSY		
	CHECKED BY	KTAKAHASHI	DATE	2012/09/13	APPROVED BY	KMORIKAWA	DATE	2013/04/05
	MATERIAL NO.	SEE CHART		DOCUMENT NO.	SD-52437-024	SHEET NO.	2 OF 3	

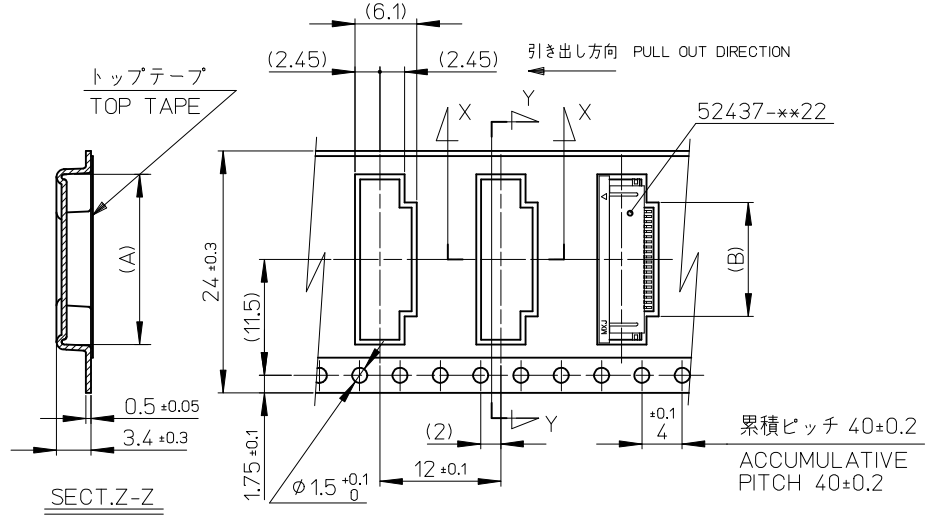
SIZE	A3	THIS DRAWING CONTAINS INFORMATION THAT IS PROPRIETARY TO MOLEX INCORPORATED AND SHOULD NOT BE USED WITHOUT WRITTEN PERMISSION						
------	----	--	--	--	--	--	--	--



SECT.Z-Z

44mm幅キャリアテープ
44mm WIDTH CARRIER TAPE

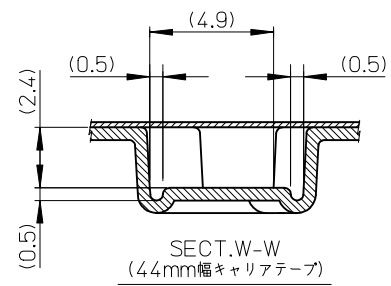
44	49.4	45.4	25.4	18.8	24.4	52437-3533	35
			22.9	16.3	21.9	52437-3033	30
キャリアテープ幅 CARRIER TAPE WIDTH	E	D	(C)	(B)	(A)	製品番号 MATERIAL NO.	極数 CKT.



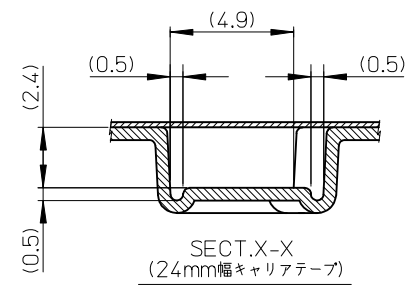
SECT.Z-Z

24mm幅キャリアテープ
24mm WIDTH CARRIER TAPE

24	29.4	25.4	11.8	17.4	52437-2133	21
キャリアテープ幅 CARRIER TAPE WIDTH	E	D	(B)	(A)	製品番号 MATERIAL NO.	極数 CKT.



SECT.W-W
(44mm幅キャリアテープ)



SECT.X-X
(24mm幅キャリアテープ)

SEE SHEET 1 OF 3	EC NO.: J2013-1015	2012/09/13	GENERAL TOLERANCES (UNLESS SPECIFIED)		DIMENSION STYLE MM ONLY		SCALE ---	DESIGN UNITS METRIC	THIRD ANGLE PROJECTION
	DRWN: AISHII	2012/09/13	10 UNDER	± ---	DRAWN BY AISHII	DATE 2012/09/13	TITLE EMBOSS TAPE PACKAGED FOR 0.5MM FPC CONN ZIF R/A HOUSING ASSY		
	CHKD: KTAKAHASHI	2012/09/13	10 OVER 30 UNDER	± ---	CHECKED BY KTAKAHASHI	DATE 2012/09/13			
	APPR: KMORIKAWA	2013/04/05	30 OVER	± ---	APPROVED BY KMORIKAWA	DATE 2013/04/05	DOCUMENT NO. SD-52437-024		
	REV O	DESCRIPTION	ANGULAR	± --- °	MATERIAL NO.	SEE CHART			
		DRAFT WHERE APPLICABLE MUST REMAIN WITHIN DIMENSIONS		SIZE A3	THIS DRAWING CONTAINS INFORMATION THAT IS PROPRIETARY TO MOLEX INCORPORATED AND SHOULD NOT BE USED WITHOUT WRITTEN PERMISSION				