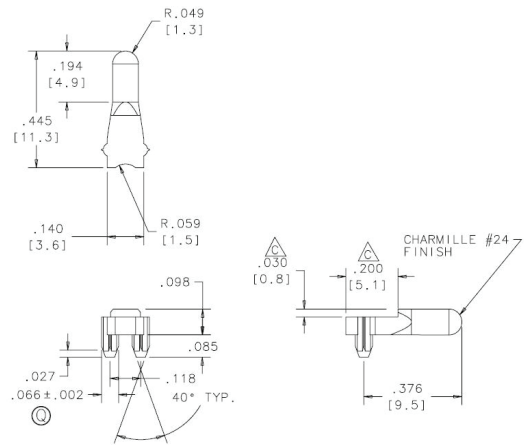




7511B12-B Light Pipe

Product Specification



Led type	SMD LED
Type	Right Angle, Single Position
Mounting	PCB Press-In Pin
Works with	CMD12-21 Series
Housing ul rating	UL 94-V0

Note:
All dimensions are in inches [millimeters].