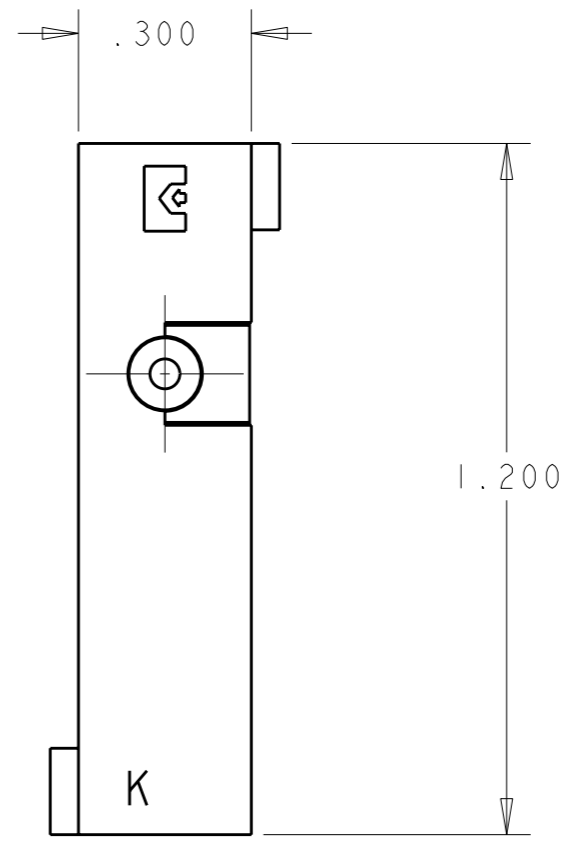
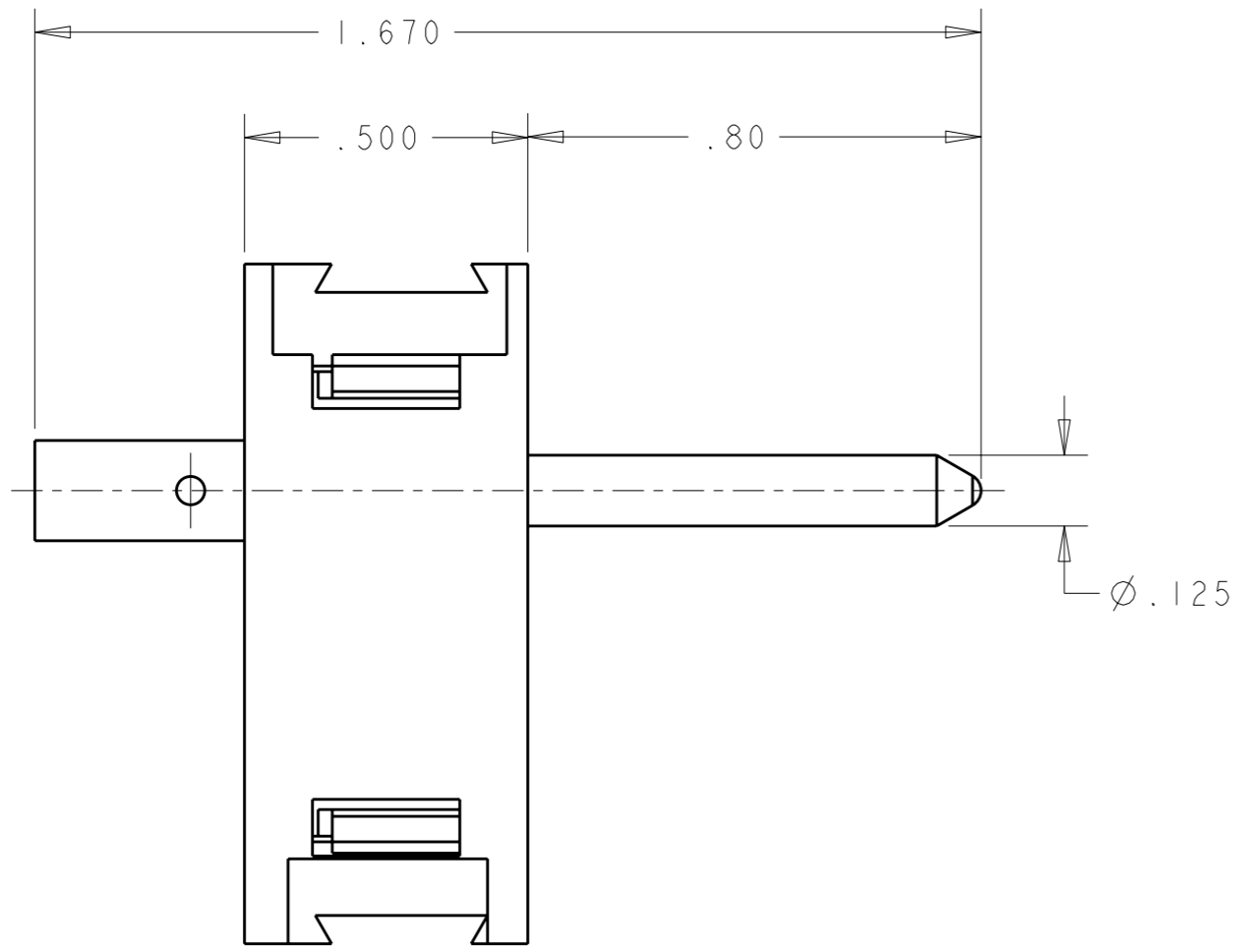


THIS DRAWING IS UNPUBLISHED. RELEASED FOR PUBLICATION 20
 © COPYRIGHT 20 BY TYCO ELECTRONICS CORPORATION. ALL RIGHTS RESERVED.

LOC	DIST	REVISIONS			
P	LTR	DESCRIPTION	DATE	DWN	APVD
GP	00	A	RELEASED	07MAY2008	RG DO



- PART NUMBER CHANGES AND/OR DESIGN CHANGES AFFECTING ITEM INTERCHANGEABILITY REQUIRE PRIOR TYCO ELECTRONICS APPROVAL AND AUTHORIZATION BY REVISION TO THIS DRAWING.
- ITEMS PROVIDED TO THIS SPECIFICATION TO BE PERMANENTLY IDENTIFIED ON THE CONTAINER PER THE FOLLOWING IDENTIFIER:

TYCO ELECTRONICS P/N:
 XXXXXXX-X

DATE CODE (O212):
 XXXX

YEAR WEEK

AS SHOWN	6648508-1
DESCRIPTION	PART NO.

<small>THIS DRAWING IS A CONTROLLED DOCUMENT FOR TYCO ELECTRONICS CORPORATION. IT IS SUBJECT TO CHANGE AND THE CONTROLLING ENGINEERING ORGANIZATION SHOULD BE CONTACTED FOR THE LATEST REVISION.</small>		DWN R. GRZYBOWSKI 07MAY2008 CHK D. ORRIS 07MAY2008 APVD S. FLICKINGER 07MAY2008		Tyco Electronics Harrisburg, PA 17105-3608	
DIMENSIONS: INCHES 		TOLERANCES UNLESS OTHERWISE SPECIFIED: 0 PLC ±- 1 PLC ±- 2 PLC ±.02 3 PLC ±.010 4 PLC ±- ANGLES ±-		NAME: K MODULE W/ PIN CONTACT No. 10 AWG CRIMP BARREL SNAP-IN STYLE DOMINO	
MATERIAL: -		FINISH: -		PRODUCT SPEC: - APPLICATION SPEC: - WEIGHT: -	
CUSTOMER DRAWING				SIZE: A3 CAGE CODE: 300779 DRAWING NO: C-6648508	RESTRICTED TO: -
SCALE: 3:1				SHEET 1 OF 1 REV A	